

US SUPERSONIC FIGHTER 1:48 SCALE PLASTIC KIT



eduard

intro by Brad Elward

The Vought F-8 Crusader was a supersonic day fighter that served with United States Navy and Marine Corps fighter squadrons during the 1960s and 1970s. The Crusader was Vought's response to the Navy's September 1952 requirement for a new fighter to replace the Vought F7U Cutlass. The requirement called for the new fighter to have a top speed of Mach 1.2 at 30,000 feet with a climb rate of 25,000 feet per minute, while possessing a landing speed of no greater than 100 mph. It was also to carry a 20 mm cannon, as experiences in Korea had shown that .50 caliber (12.7 mm) machine guns were inadequate. Vought's submission, the V-383 (one of eight offered by industry), was selected and the model, then designated F8U-1 (later the F-8A), made its first flight in 1955.

The F-8A featured a high-mounted wing, unusual for a fighter, and utilized an innovative variable-incident wing, which increased the angle-of-attack of the wings and created extra lift on take-off and landing. The wings pivoted up by seven degrees to accomplish this task, and in doing so, allowed adequate forward visibility for the pilot. The Crusader was powered by a powerful Pratt & Whitney J57 turbojet which produced 18,000 lbs of thrust in afterburner. The F-8 was the first Navy jet fighter to break the 1,000 mph mark. The F-8 carried four 20 mm Colt Mk 12 cannons, each with 144 rounds, and had two AIM-9 Sidewinder air-to-air missiles mounted on Y-pylons on each side of the fuselage just aft of the cockpit.

Early F-8As began joining the fleet in 1957. VF-32 Swordsmen at NAS Cecil Field, Florida, were the first east coast squadron to receive the Crusader and VF-154 Grand Slammers at NAS Moffett Field, California, were the first west coast squadron to fly the Crusader. The Marine Corps accepted their first Crusaders in VMF-122 Crusaders, then based as MCAS Beaufort, South Carolina. Crusaders would go on to serve in 25 Navy and 13 Marine Corps frontline fighter squadrons.

The last of the production Crusaders, the F-8E (initially designated as the F8U-2NE) first flew in June 1961 and was essentially an improved F-8D, itself an all-weather fighter. The F-8E introduced an improved APQ-94 search and fire-control radar, an improved engine, and new avionics for the AGM-12 Bullpup air-to-ground missile. The Bullpup, however, was rarely used by Crusader pilots. The Echo was also modified to support carriage of up to 5,000 lbs of ordinance and two wing stations were added. With these improvements, the F-8E became a true fighter-bomber capable of serving as an air defense fighter, escort fighter, or ground attack aircraft. In addition to its original fighter role, the F-8E could carry a variety of air-to-ground ordinance, including two LAU-10 rocket pods, two AGM-12 Bullpups, twelve 250-lb (113 kg) Mk 81 bombs, eight 500-lb (227 kg) Mk 82 bombs, four 1,000-lb (454 kg) Mk 83 bombs, or two 2,000-lb (907 kg) Mk 84 bombs. For a time, the Crusader was the only U.S. Navy fighter capable of delivering the 2,000-lb Mk 84.

Crusaders were prevalent during the Vietnam War, with F-8E squadrons making 22 deployments, mostly aboard the modified 27-Charley Essex class carriers. VF-191 Satan's Kittens (with CVW-19) made the first F-8E deployment and went on to make four war deployments, tying with VF-53 Iron Angels (CVW-5) for the most deployments.

F-8Es were used extensively in Vietnam as day fighters and attack aircraft by the Navy and Marine Corps. F-8s flew fighter and escort duties for attack aircraft and also flew ground attack missions with Zuni rockets against anti-aircraft and surface-to-air missile batteries. F-8Es scored 11 MiG kills during the war, contributing to the Crusader's overall 19:3 kill ratio, which was the best of any aircraft type during the Vietnam War. Crusaders shot down 16 MiG-17s and three MiG-21s, while all F-8 air-to-air losses were to the MiG-17.

A total of 286 F-8Es were produced, plus another 42 F-8E (FN) for the French Navy, with the total F-8 production equaling 1,261 aircraft. The Crusader is often called the "Last of the Gunfighters."

DECALS AND COLOR PROFILES DESIGNED BY





Carefully read instruction sheet before assembling. When you use glue or paint, do not use near open flame and use in well ventilated room. Keep out of reach of small children. Children must not be allowed to suck any part, or pull vinyl bag over the head.



Před započítím stavby si pečlivě prostudujte stavební návod. Při používání barev a lepidel pracujte v dobře větrané místnosti. Lepidla ani barvy nepoužívejte v blízkosti otevřeného ohně. Model není určen malým dětem, mohlo by dojít k požití drobných dílů.

INSTRUCTION SIGNS * INSTR. SYMBOLS * INSTRUKTION SINNBILDEN * SYMBOLES * 記号の説明



OPTIONAL
VOLBA



BEND
OHNOUT



OPEN HOLE
VYVRTAT OTVOR



SYMETRICAL ASSEMBLY
SYMETRICKÁ MONTÁŽ



REMOVE
ODŘÍZNOUT



REVERSE SIDE
OTOČIT



APPLY EDUARD MASK
AND PAINT
POUŽIT EDUARD MASK
NABARVIT

PARTS



DÍLY



TEILE

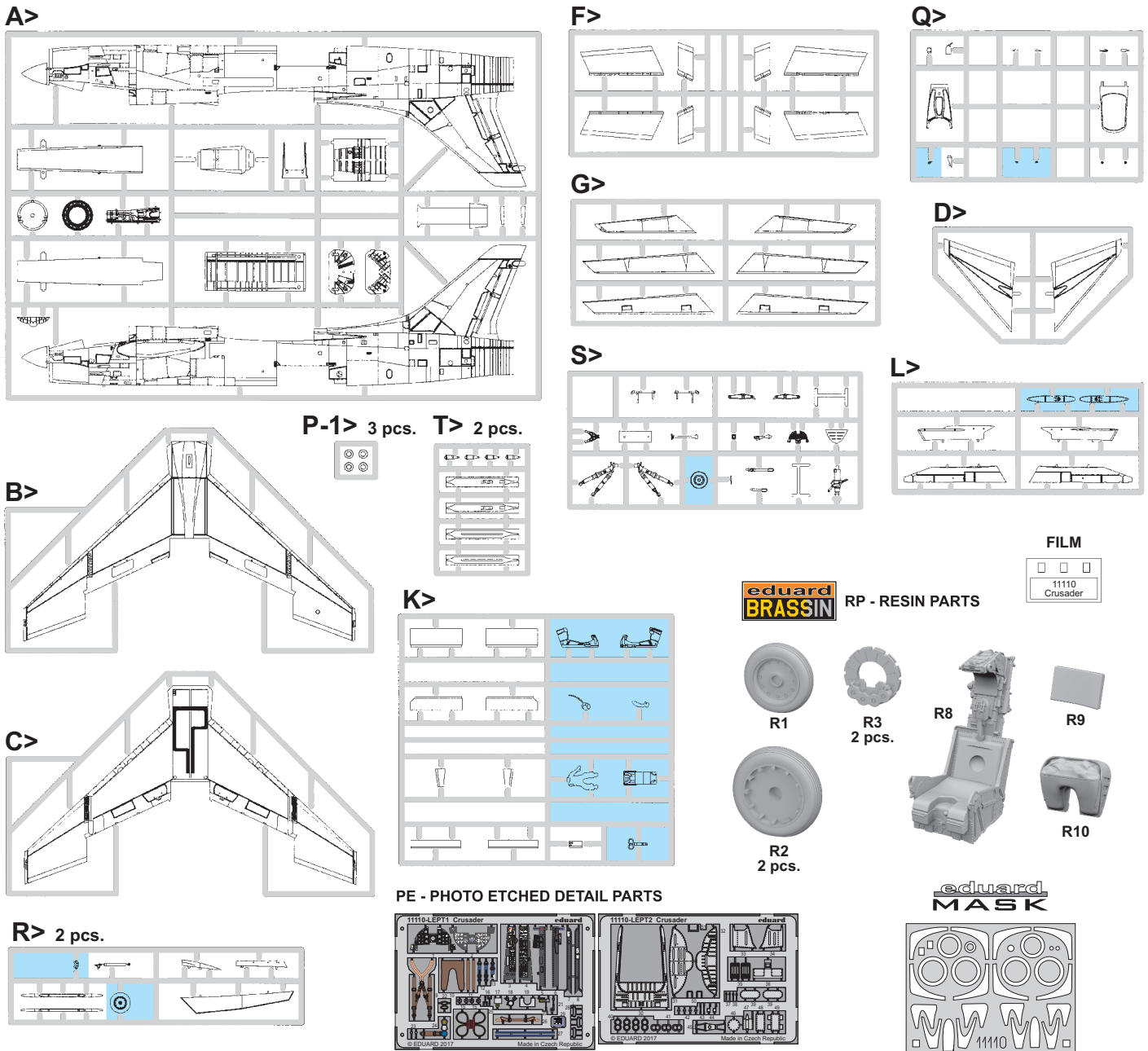


PIÈCES



部品

PLASTIC PARTS



-Parts not for use. -Teile werden nicht verwendet. -Pièces à ne pas utiliser. -Tyto díly nepoužívejte při stavbě. - 使用しない部品

COLOURS



BARVY



FARBEN



PEINTURE

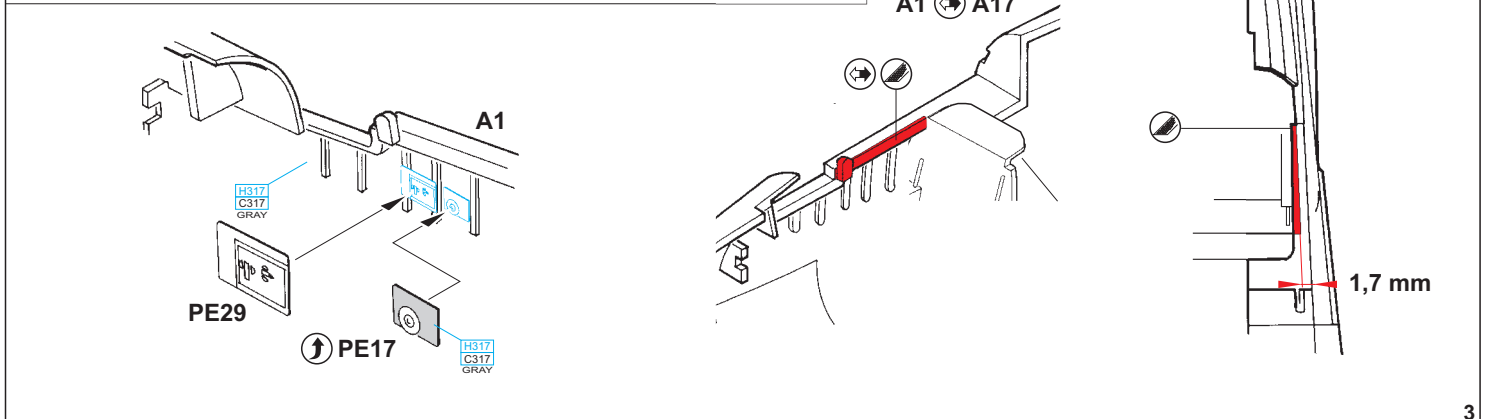
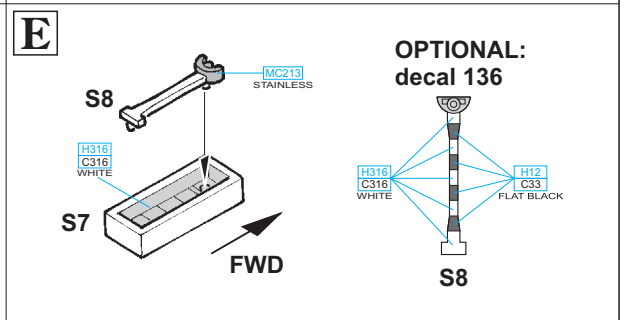
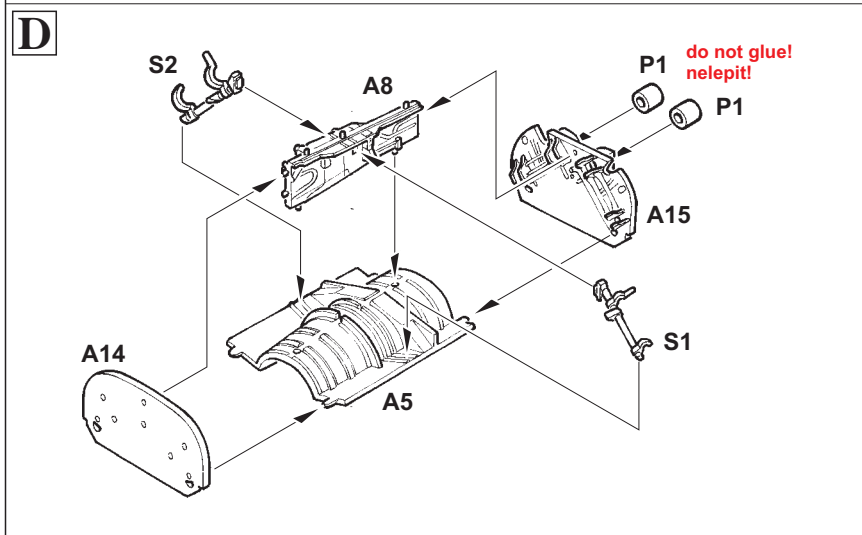
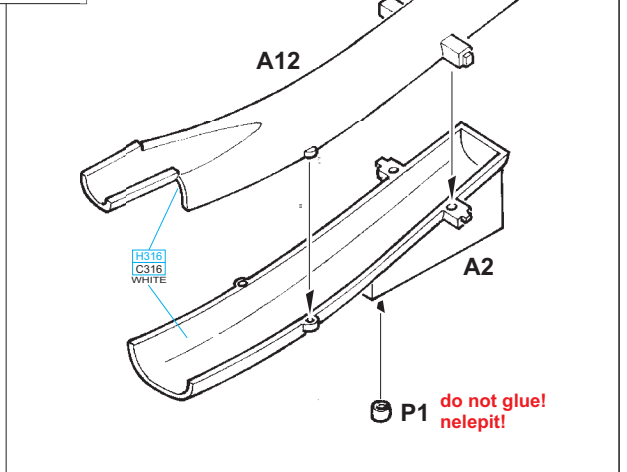
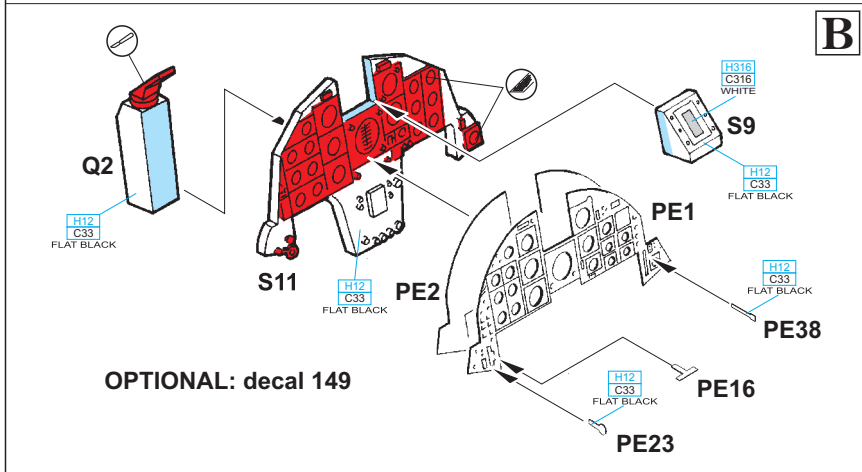
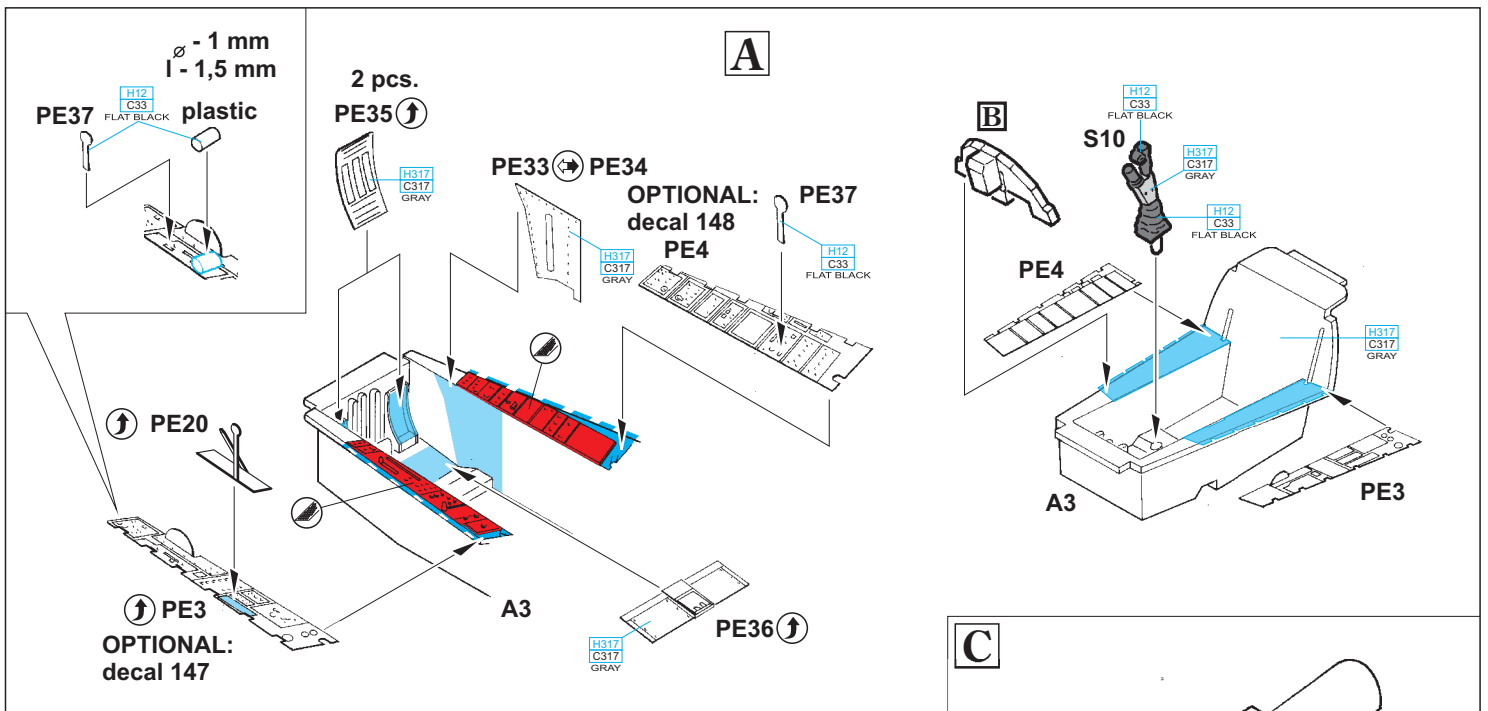


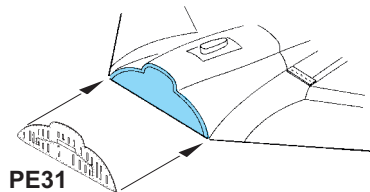
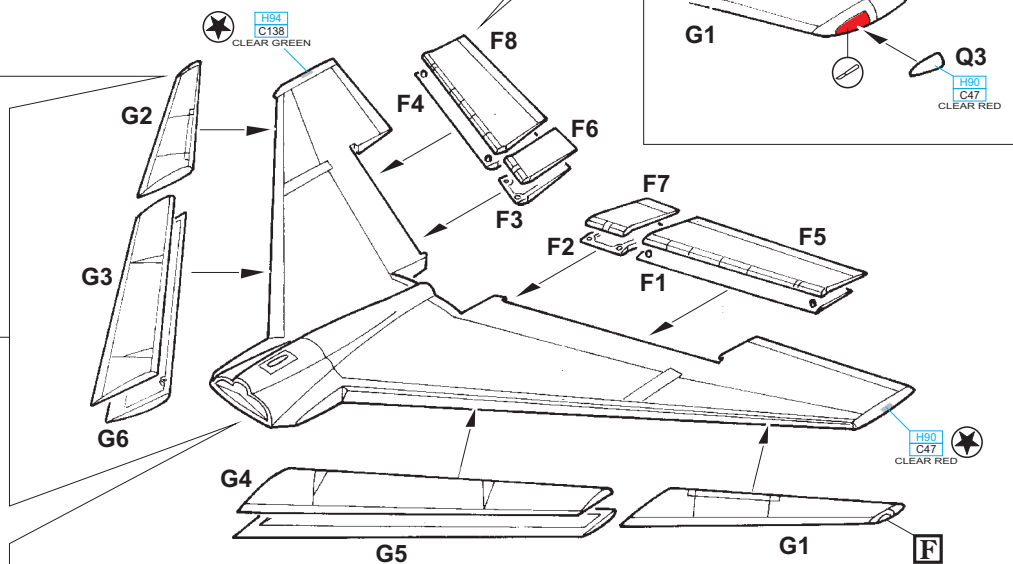
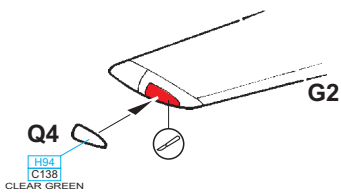
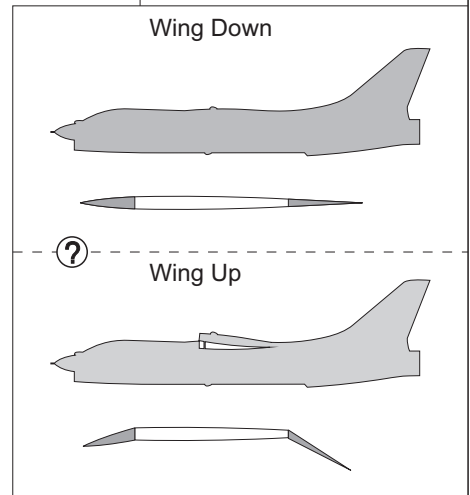
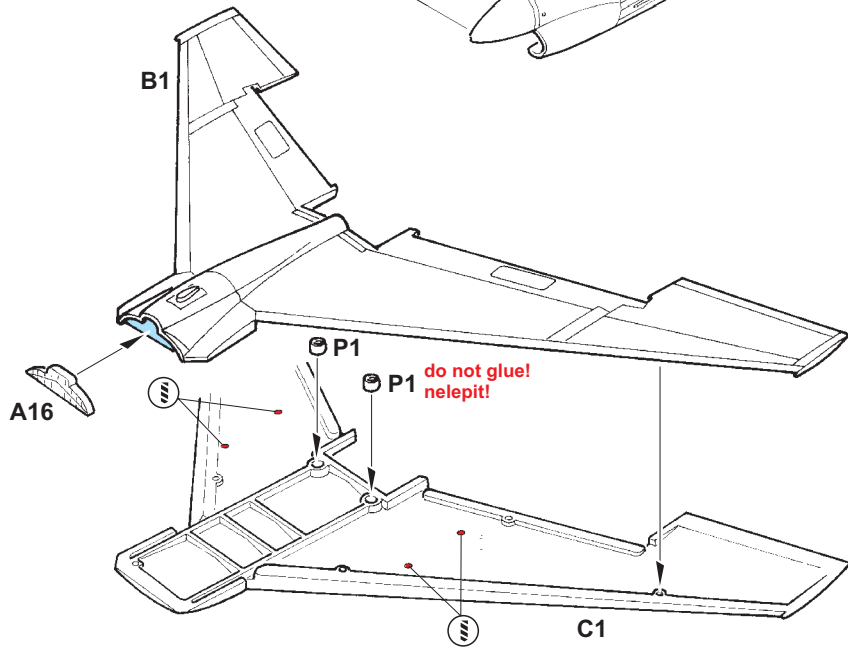
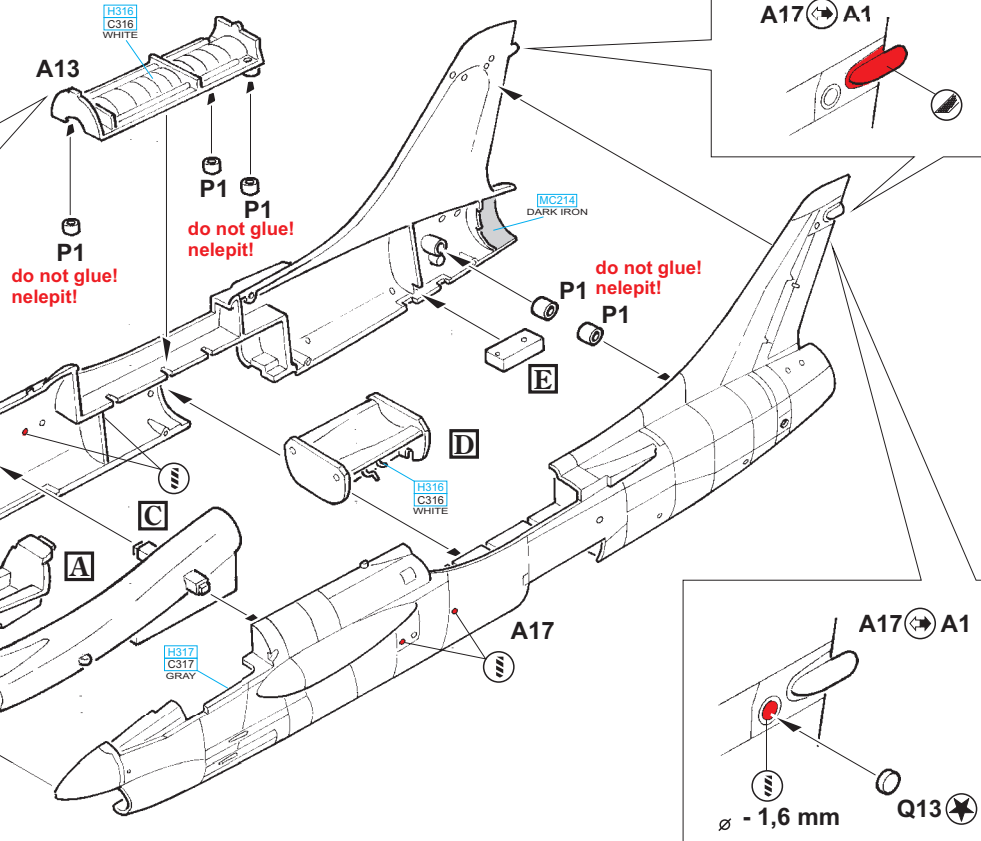
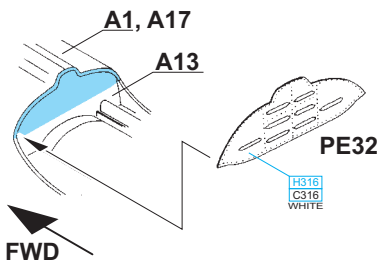
色

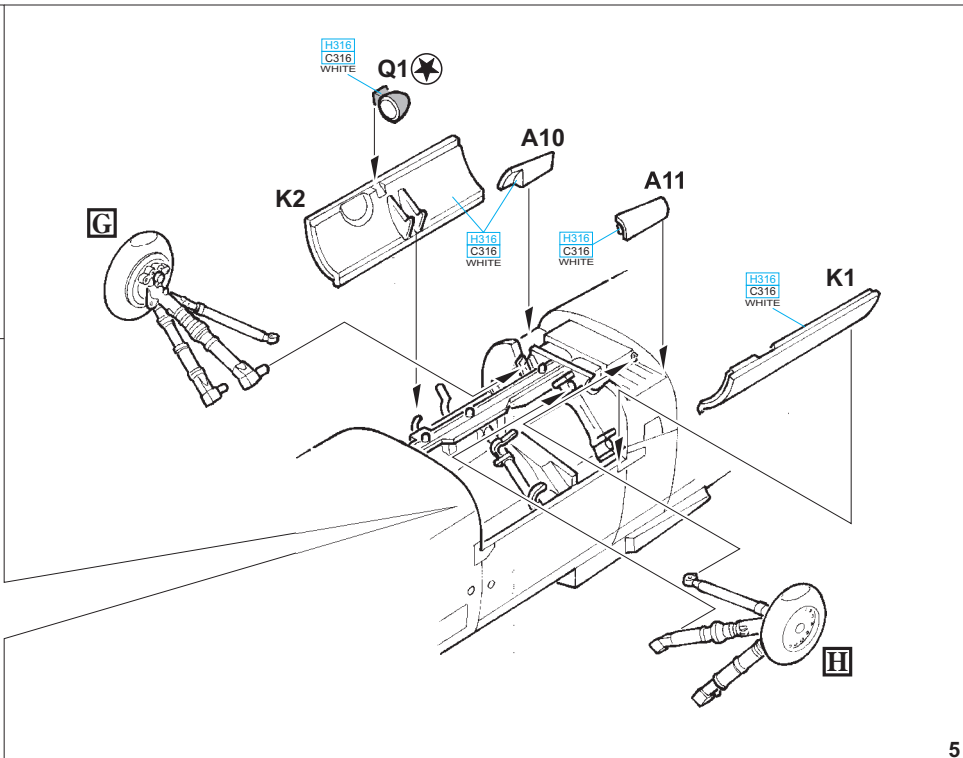
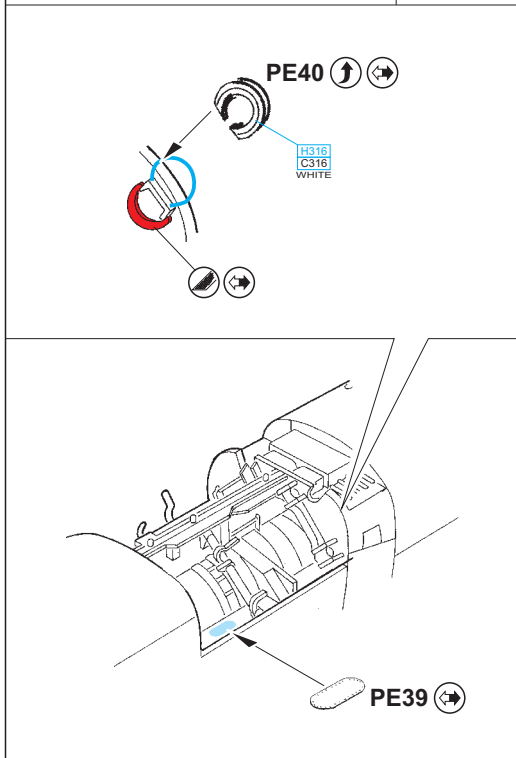
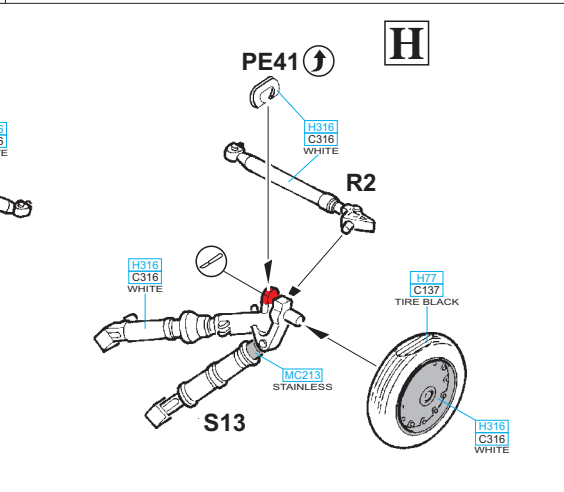
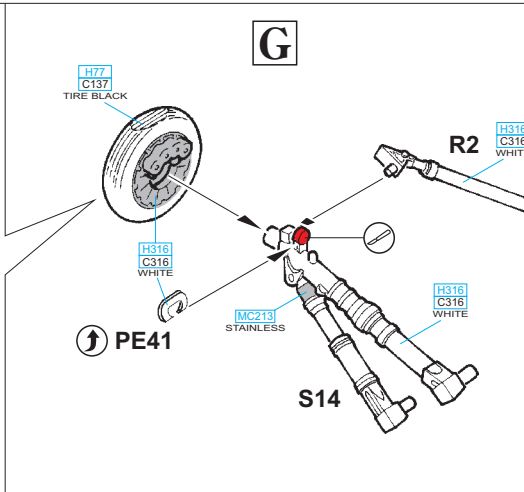
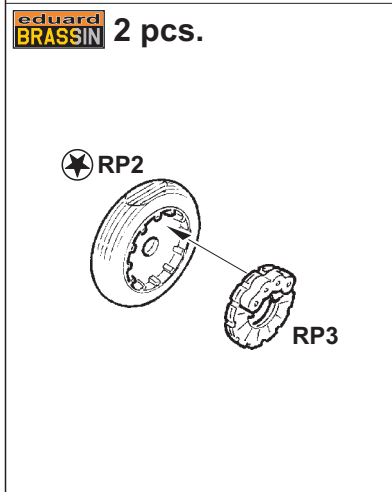
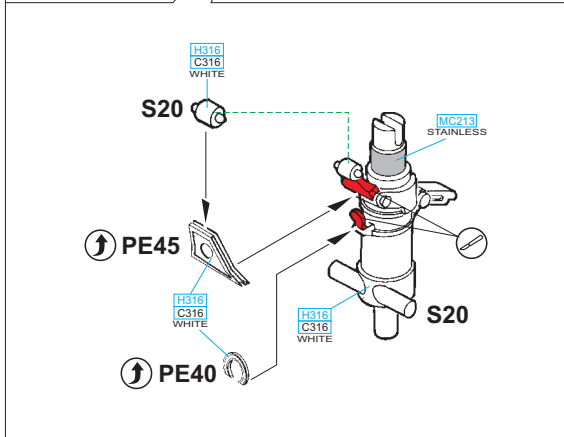
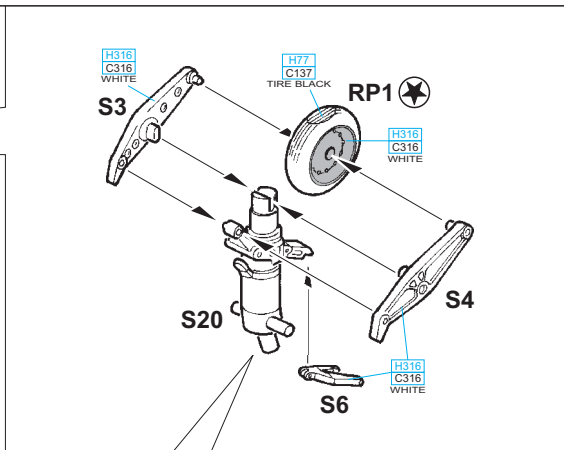
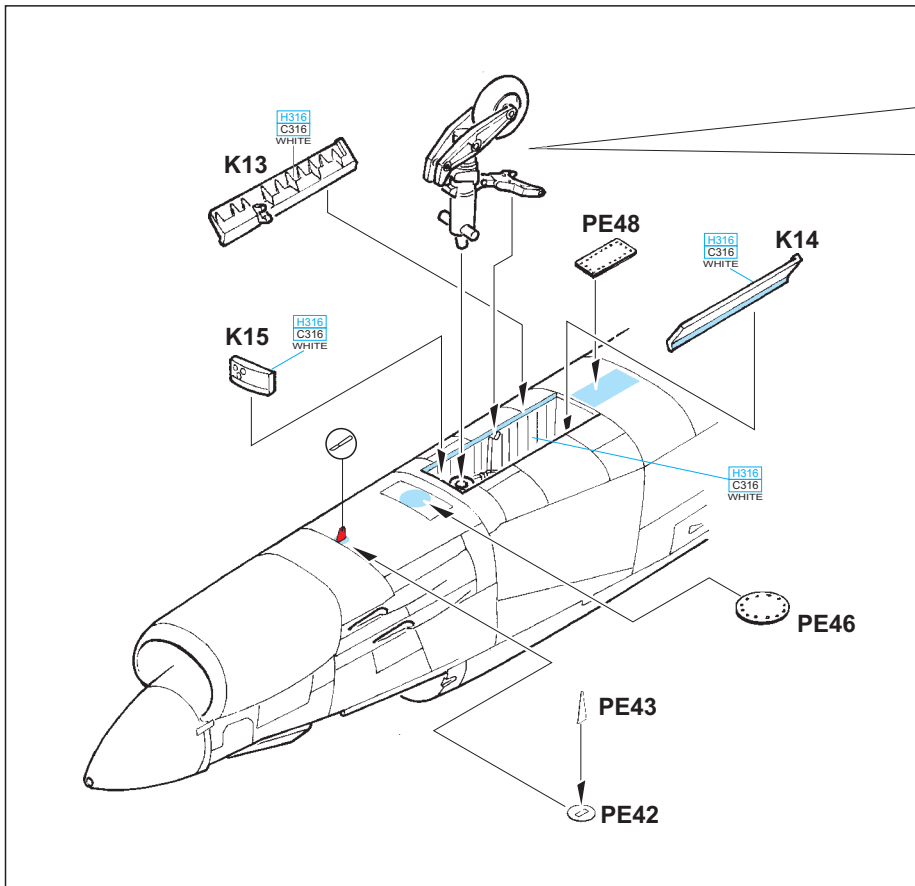
GSI Creos (GUNZE)		
AQUEOUS	Mr.COLOR	
[H 12]	[C33]	FLAT BLACK
[H 44]	[C51]	FLESH
[H 52]	[C12]	OLIVE DRAB
[H 77]	[C137]	TIRE BLACK
[H 80]	[C54]	KHAKI GREEN

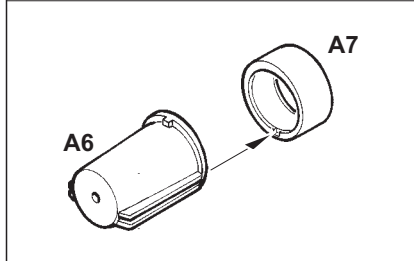
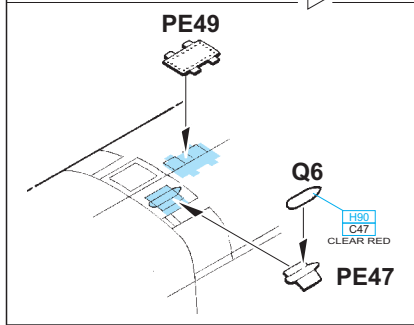
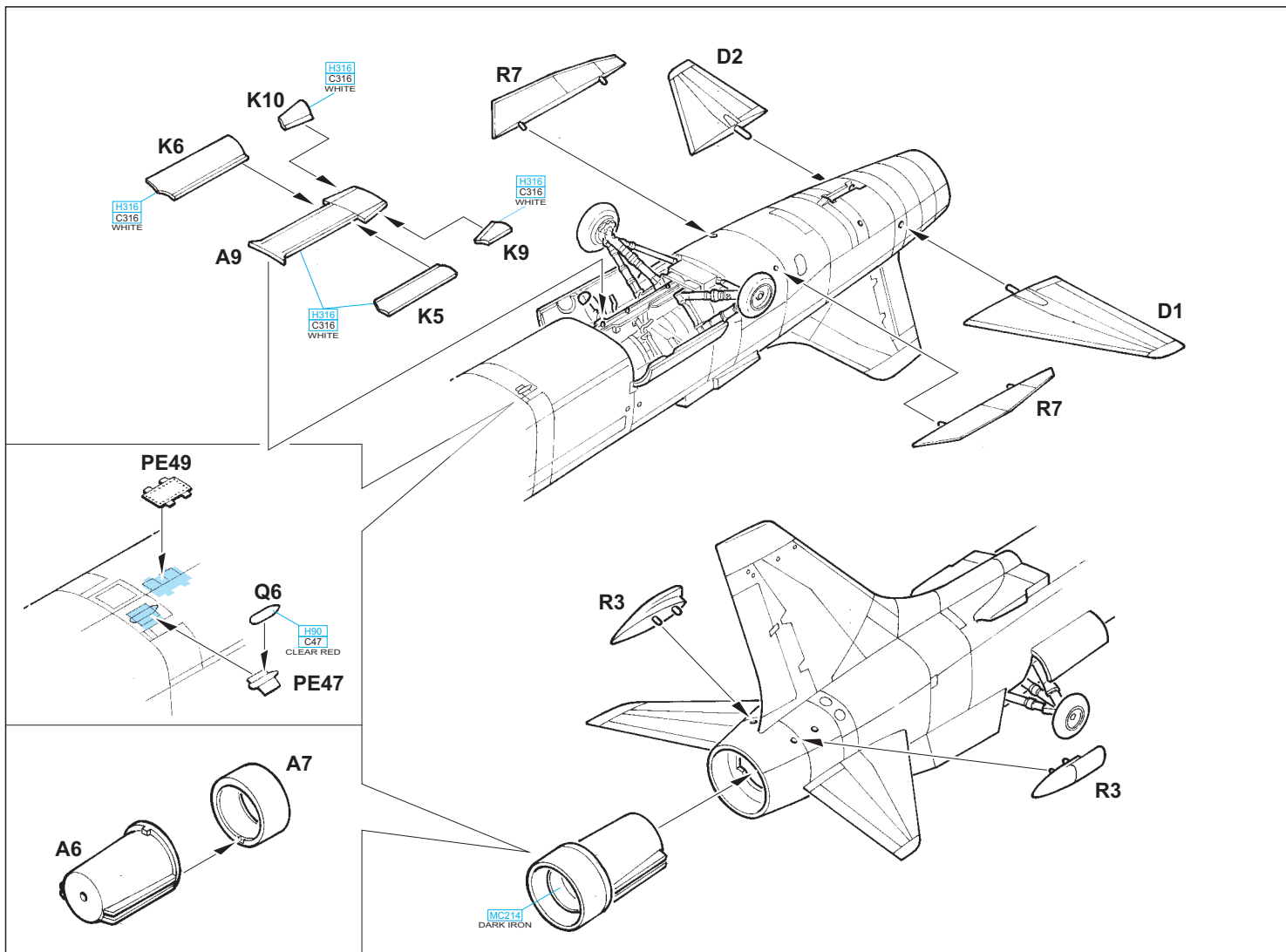
AQUEOUS	Mr.COLOR	
[H90]	[C47]	CLEAR RED
[H94]	[C138]	CLEAR GREEN
[H 315]	[C315]	GRAY
[H 316]	[C316]	WHITE
[H 317]	[C317]	GRAY

AQUEOUS	Mr.COLOR	
[H 327]	[C327]	RED
[H 329]	[C329]	YELLOW
Mr.METAL COLOR		
[MC213]		STAINLESS
[MC214]		DARK IRON

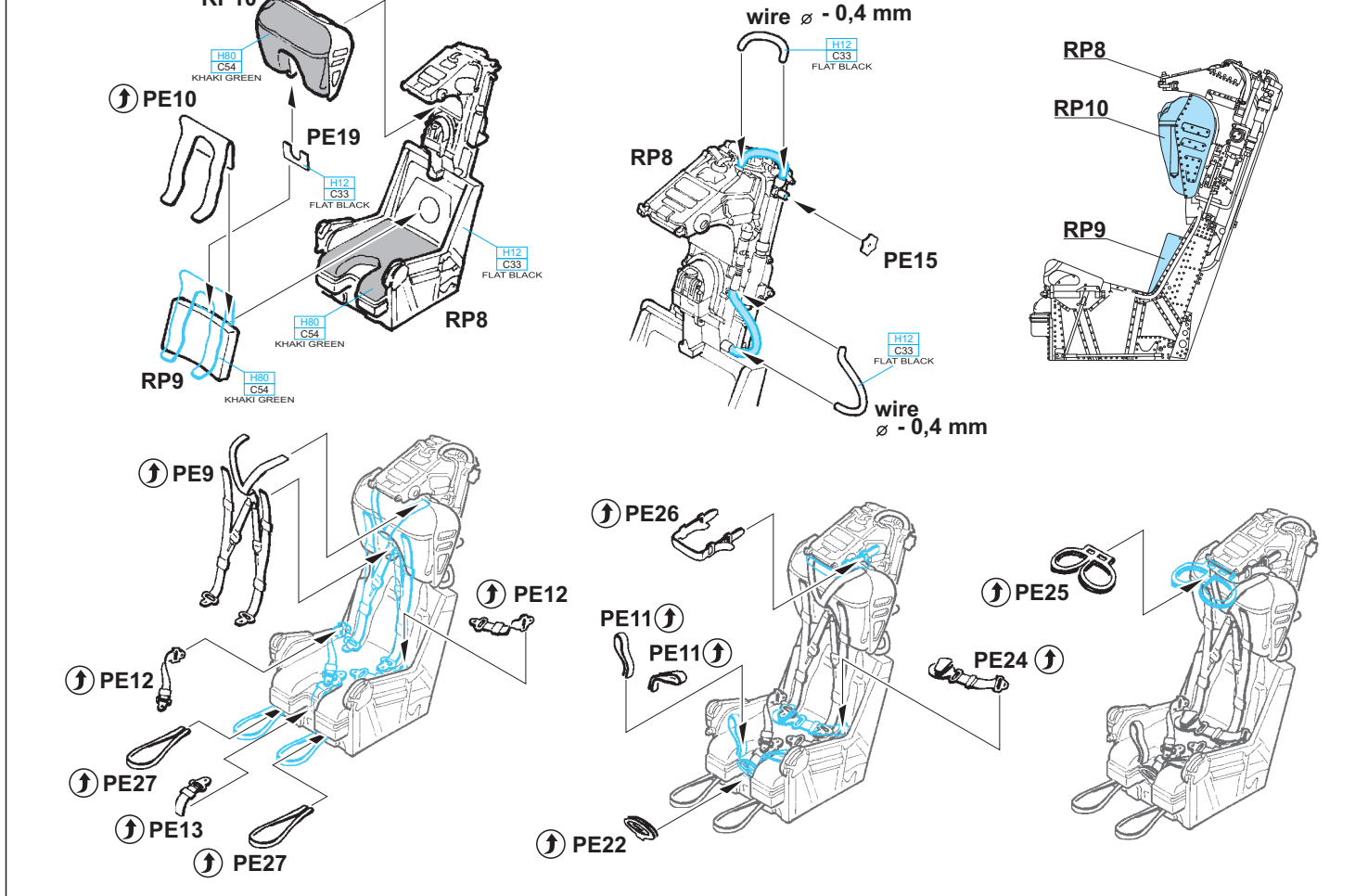


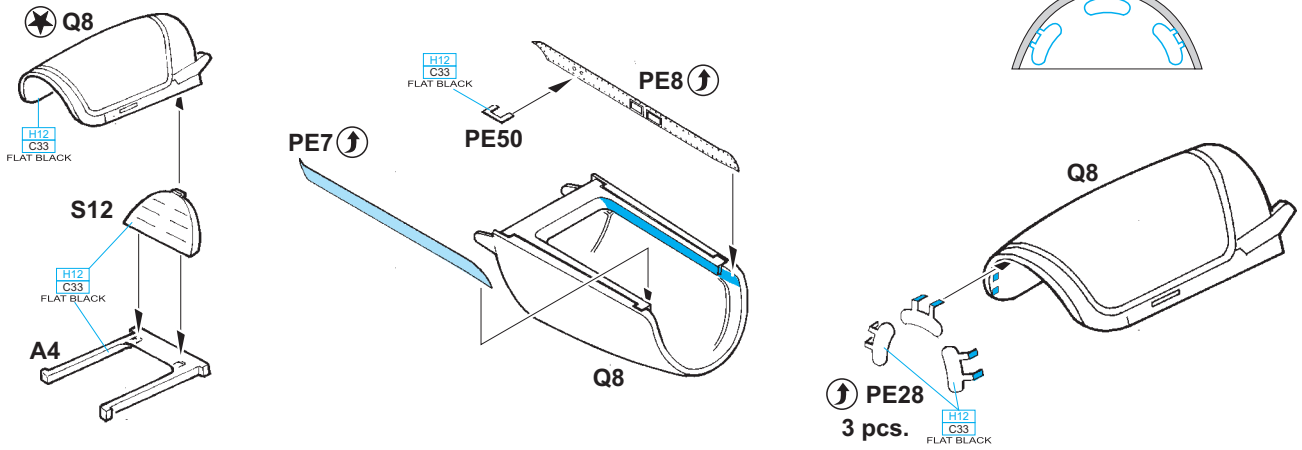






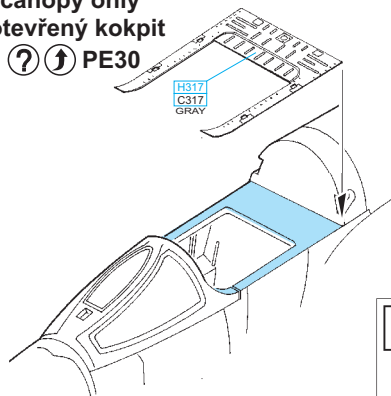
I **eduard**
BRASSIN



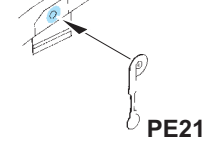
J

For open canopy only
Pouze pro otevřený kokpit

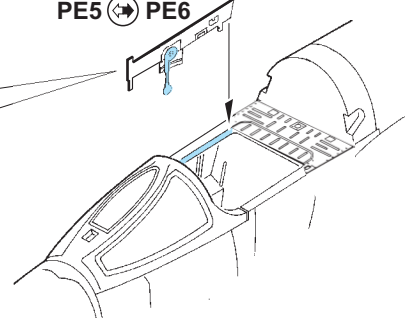
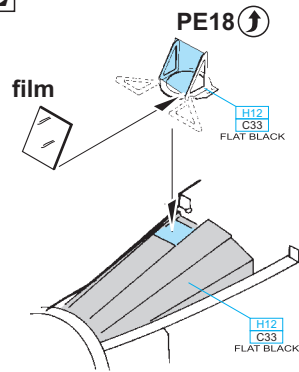
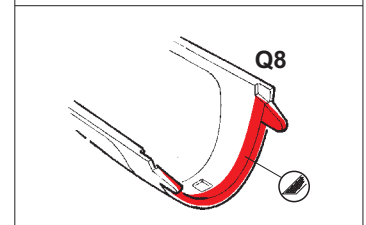
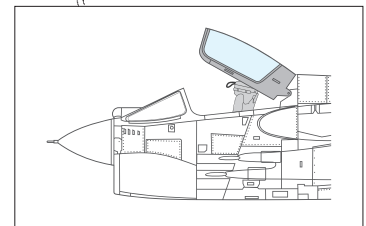
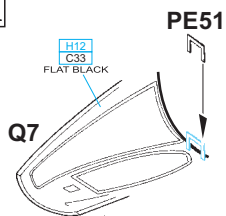
? PE30



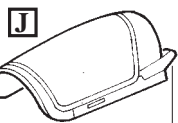
PE5



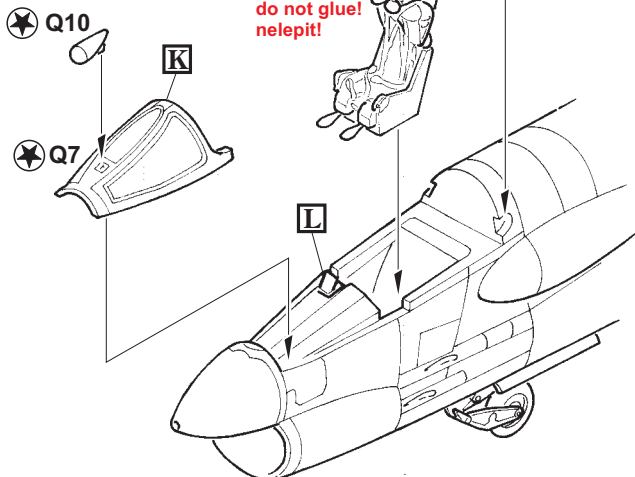
PE5 PE6

**L****K**

canopy closed

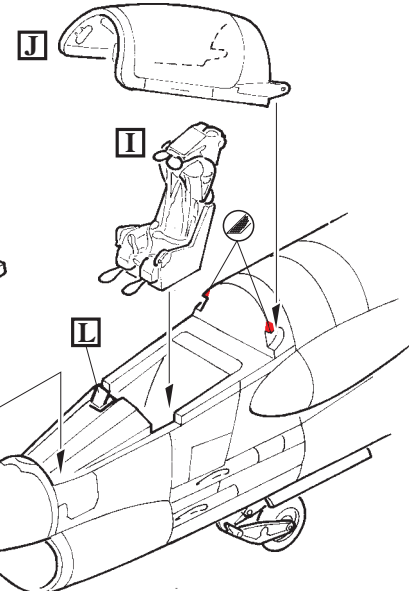


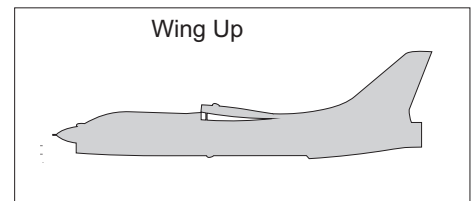
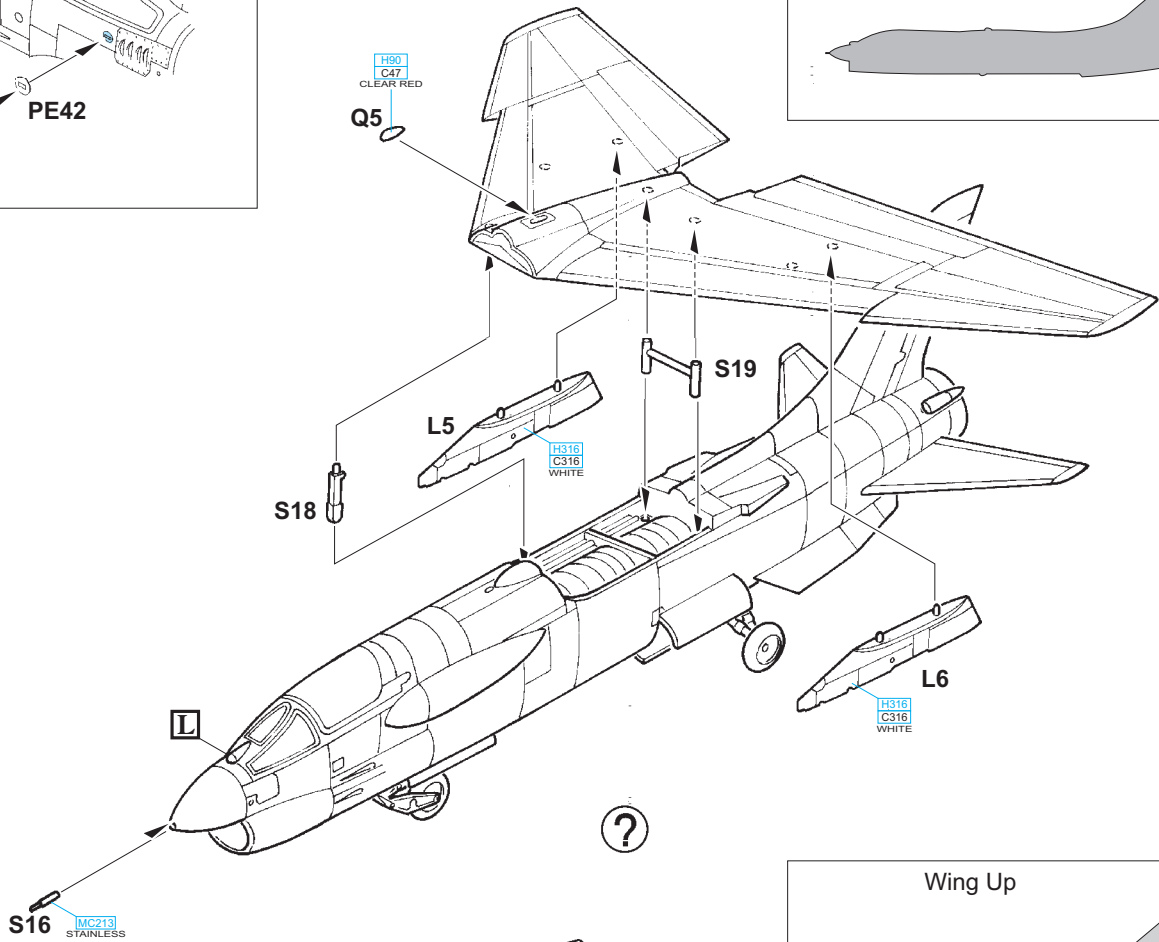
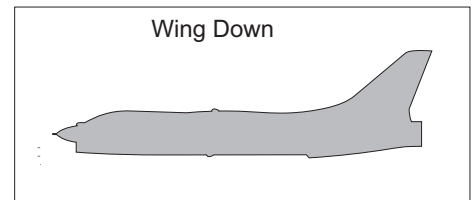
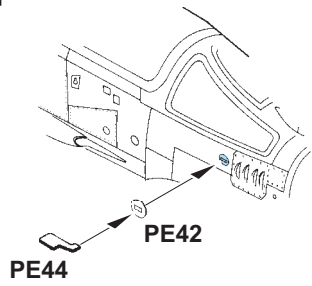
do not glue!
nelepít!



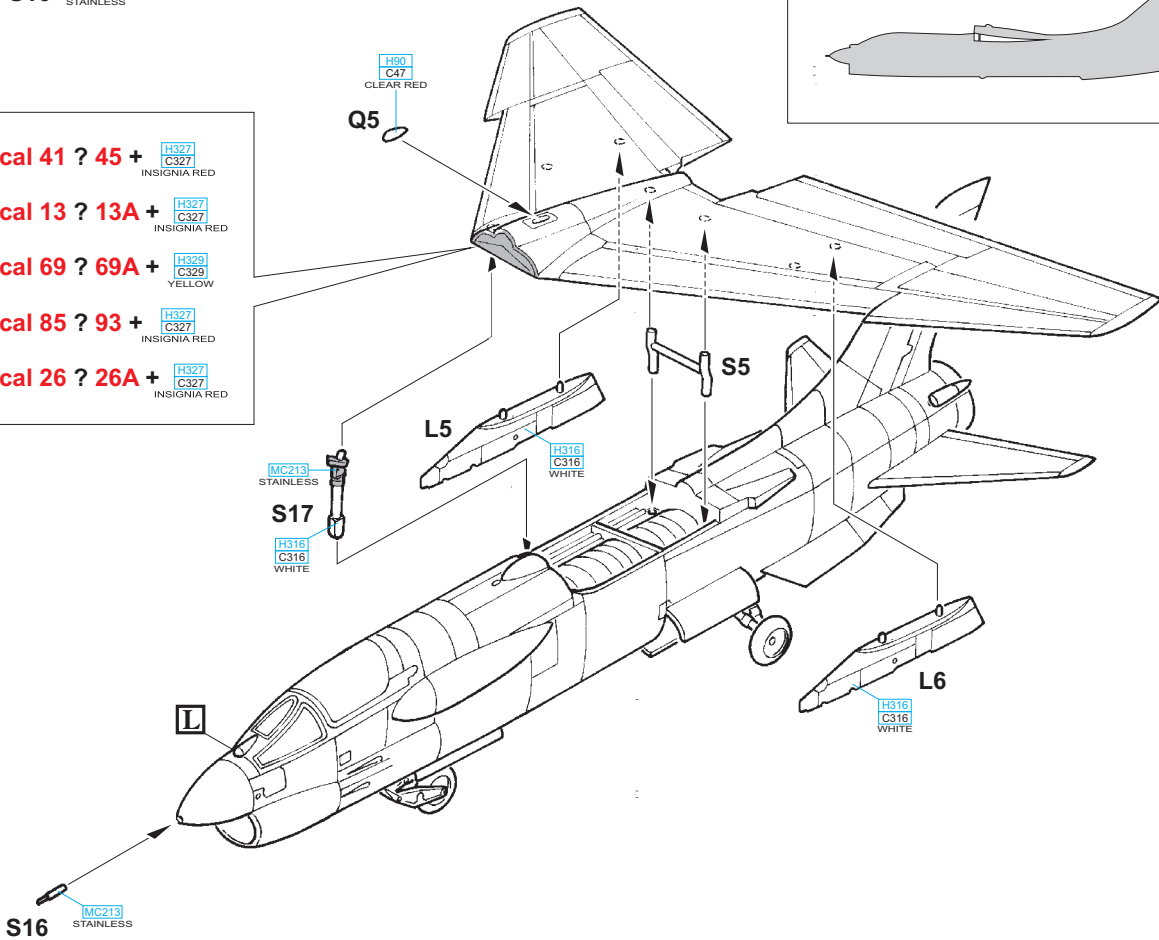
?

canopy open

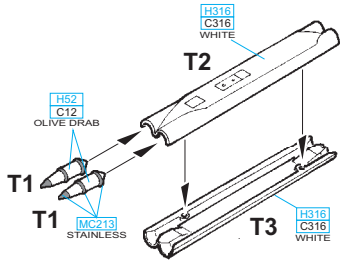


L

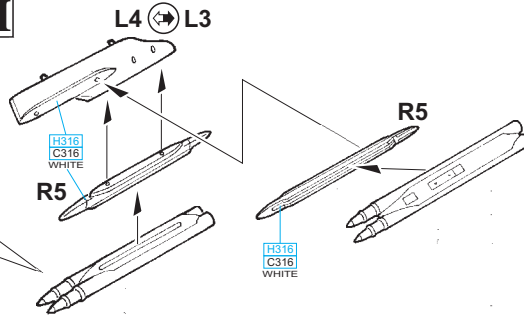
- A** - decal 41 ? 45 + H327
C327 INSIGNIA RED
- B** - decal 13 ? 13A + H327
C327 INSIGNIA RED
- C** - decal 69 ? 69A + H329
C329 YELLOW
- D** - decal 85 ? 93 + H327
C327 INSIGNIA RED
- E** - decal 26 ? 26A + H327
C327 INSIGNIA RED



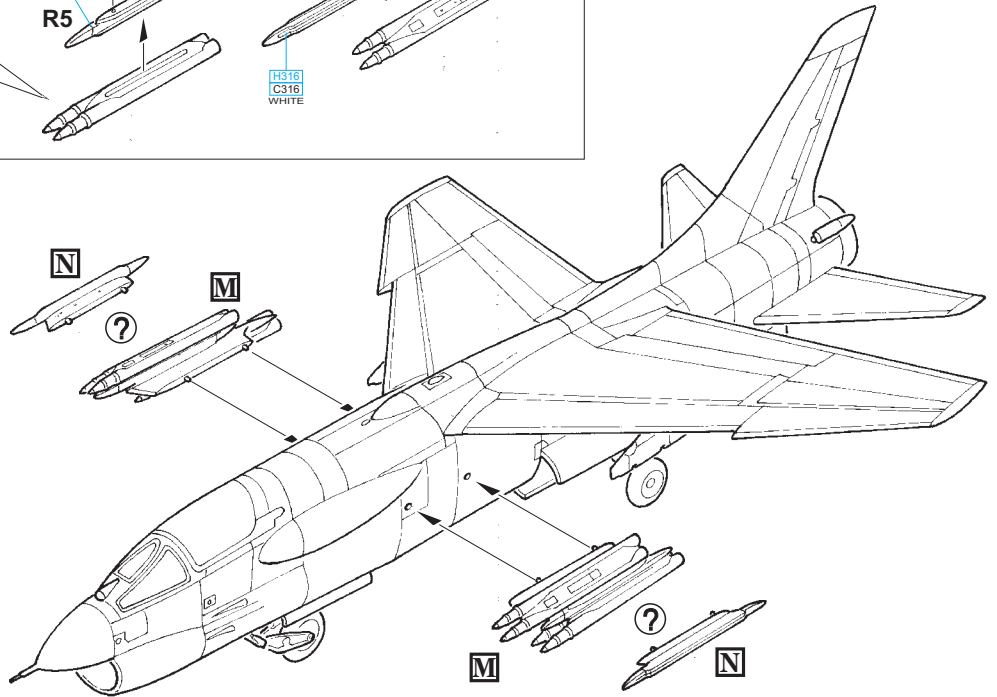
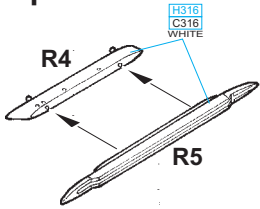
4 pcs.



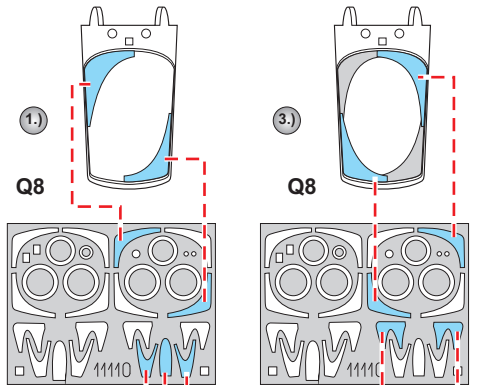
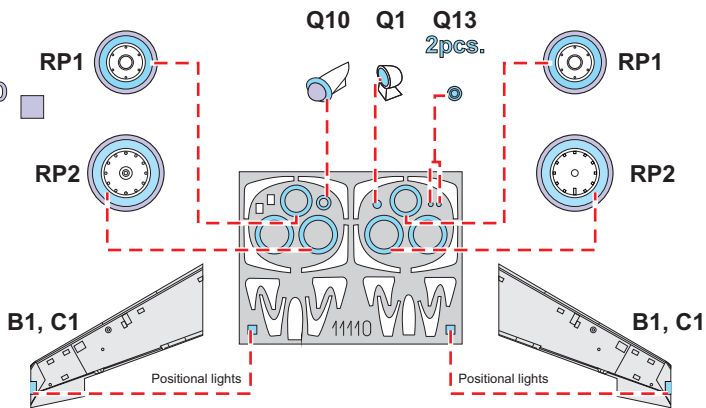
M



N 2 pcs.

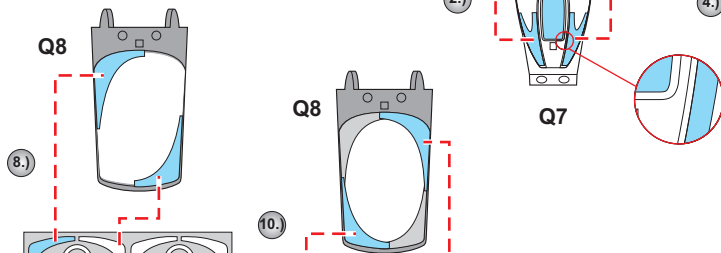


LIQUID MASK



5.) INTERIOR COLOR
H12 C33 FLAT BLACK

6.) RUBBER COLOR
H44 C51 FLESH

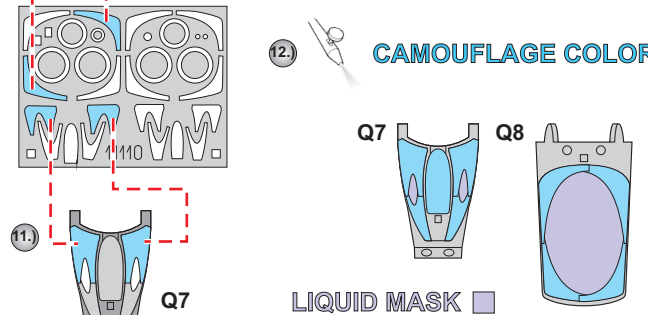


LIQUID MASK

7.) REMOVE MASK



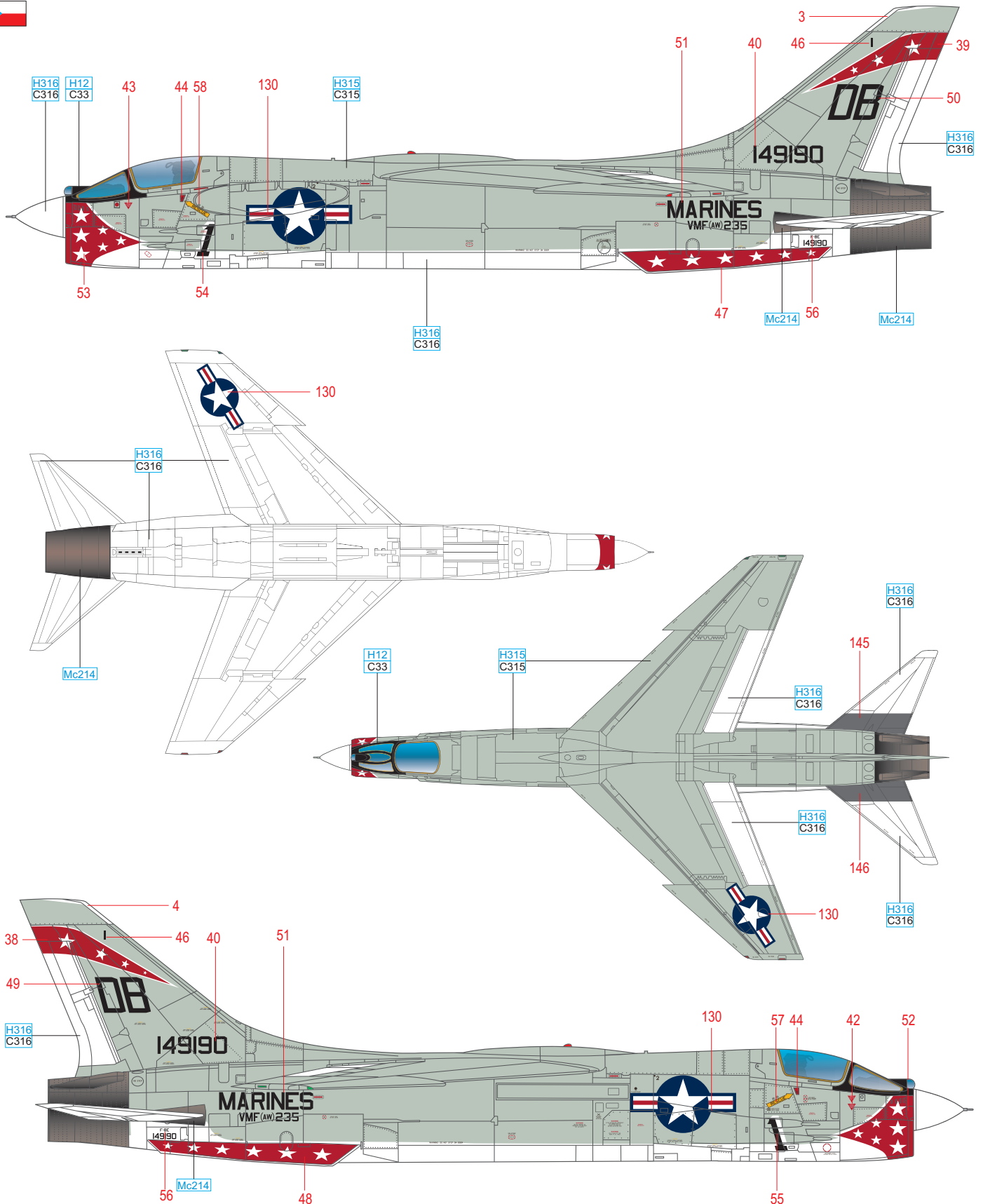
12.) CAMOUFLAGE COLOR



A BuNo. 149190, VMF(AW)-235, „Death Angel´s“, Da Nang Air Base, Republic of Vietnam, 1968

The “DEATH ANGELS” made two deployments to Da Nang Airbase during the Vietnam War from 1966 thru 1968. Close Air Support specialists, the squadrons directly supported Marines on the ground. Interestingly, the squadron also had the unique mission of base defense, since Da Nang would frequently come under Viet Cong attack. VMF(AW)-235 was also the last active duty USMC squadron to fly the F-8 Crusader.

ČESKOU VERZI TEXTU NALEZNETE NA
www.eduard.com/s/11110



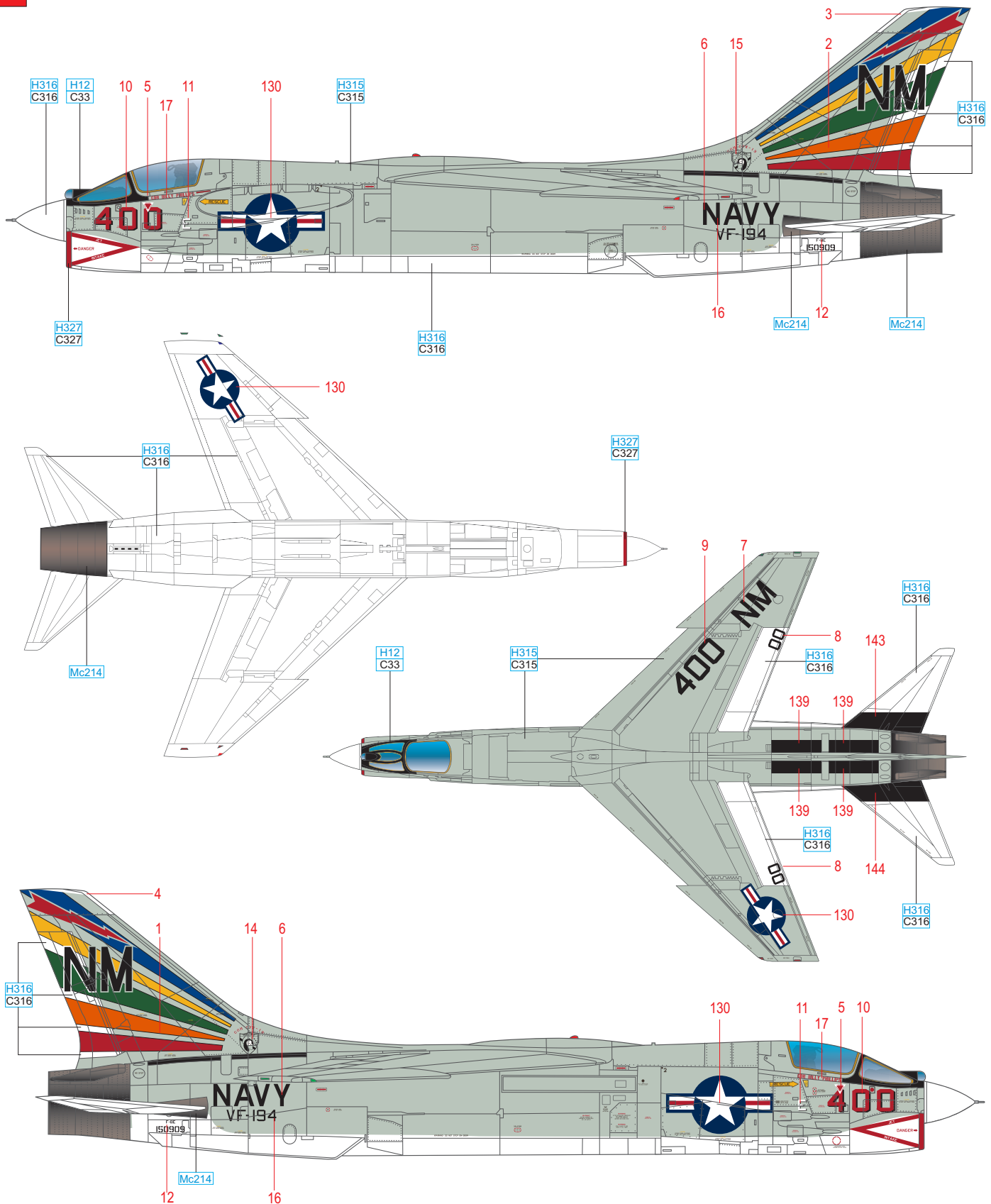
DARK IRON	Mc214	GLOSS WHITE	H316 C316
LIGHT GULL GRAY	H315 C315		



B BuNo. 150909, VF-194 „Red Lightnings“, USS Ticonderoga, 1966

150909 served as Carrier Air Wing-19's other Crusader CAG bird during VF-194's third Vietnam War deployment from October 1966 thru May 1967. Arguably the most colorful Crusader of all time, 150909 bears the squadron colors of VA-52, VA-192, VA-195, VF-191, as well as VF-194 on its tail. This aircraft would continue to serve with VF-194 on its next Vietnam War deployment aboard the USS Ticonderoga in 1968. Tragically, 150909 was destroyed by a SAM on February 14th, 1968. 150909's pilot LTJG Robert McMahan did not survive.

ČESKOU VERZI TEXTU NALEZNETE NA
www.eduard.com/s/111110



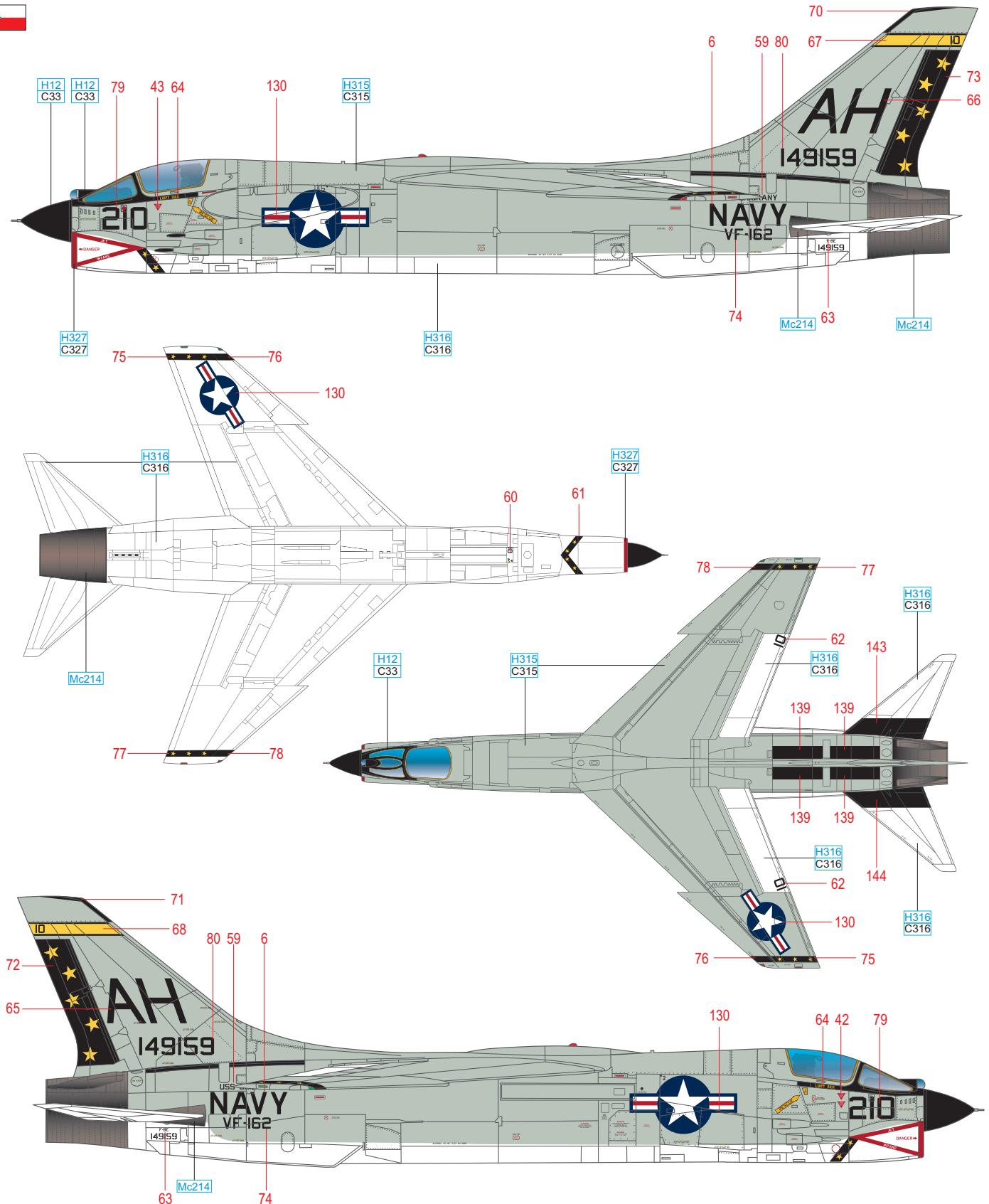
DARK IRON	Mc214				
LIGHT GULL GRAY	H315 C315	INSIGNIA RED	H327 C327	GLOSS WHITE	H316 C316
				FLAT BLACK	H12 C33



C BuNo. 149159, VF-162 „The Hunters“, USS Oriskany, September 1966

Cdr. Dick Bellinger was shot down by a MiG-17 on Luju 14th, 1966 while providing fighter cover for an Alpha Strike against Hanoi. Having safely ejected, and subsequently rescued unharmed, Cdr. Bellinger would even the score by shooting down the first MiG-21 of the Vietnam War on October 9th, 1966. As the flight leader of four VF-162 Crusaders assigned to protect A-4s, Cdr. Bellinger and his F-8s were vectored towards incoming MiGs. As the engagement ensued, one of the MiGs dove towards the ground. Cdr. Bellinger followed and fired two AIM-9Ds; one of which struck the MiG-21. Cdr. Bellinger was awarded the Silver Star for his actions.

ČESKOU VERZI TEXTU NALEZNETE NA
www.eduard.com/s/11110



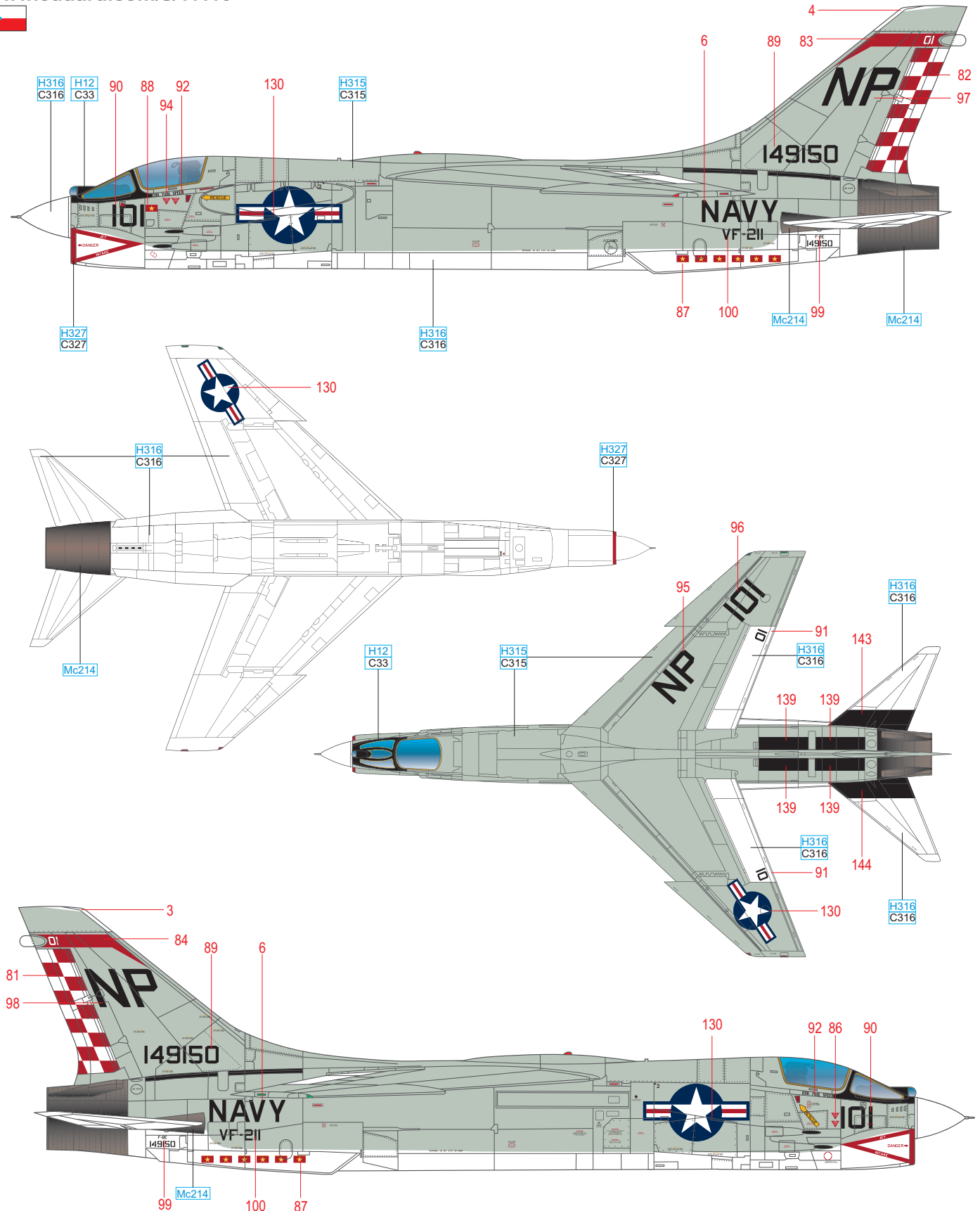
DARK IRON	Mc214
LIGHT GULL GRAY	H315 C315
INSIGNIA RED	H327 C327
GLOSS WHITE	H316 C316
FLAT BLACK	H12 C33



D BuNo. 149150, VF-211 „Fighting Checkmates“, NAS Miramar, August 1967

Squadron Commander Paul Speer was assigned this F-8 upon the unit's return from their successful deployment aboard the USS Bon Homme Richard. The flag on the nose represents CDR. Speer's MiG-17 kill on May 19th 1967 while flying F-8E BuNo. 150348. The six kills on the ventral fin represented the six official kills credited to the squadron at that time. The "FIGHTING CHECKMATES" would go on to shoot down a total 7 MiGs during the war.

ČESKOU VERZI TEXTU NALEZNETE NA
www.eduard.com/s/11110



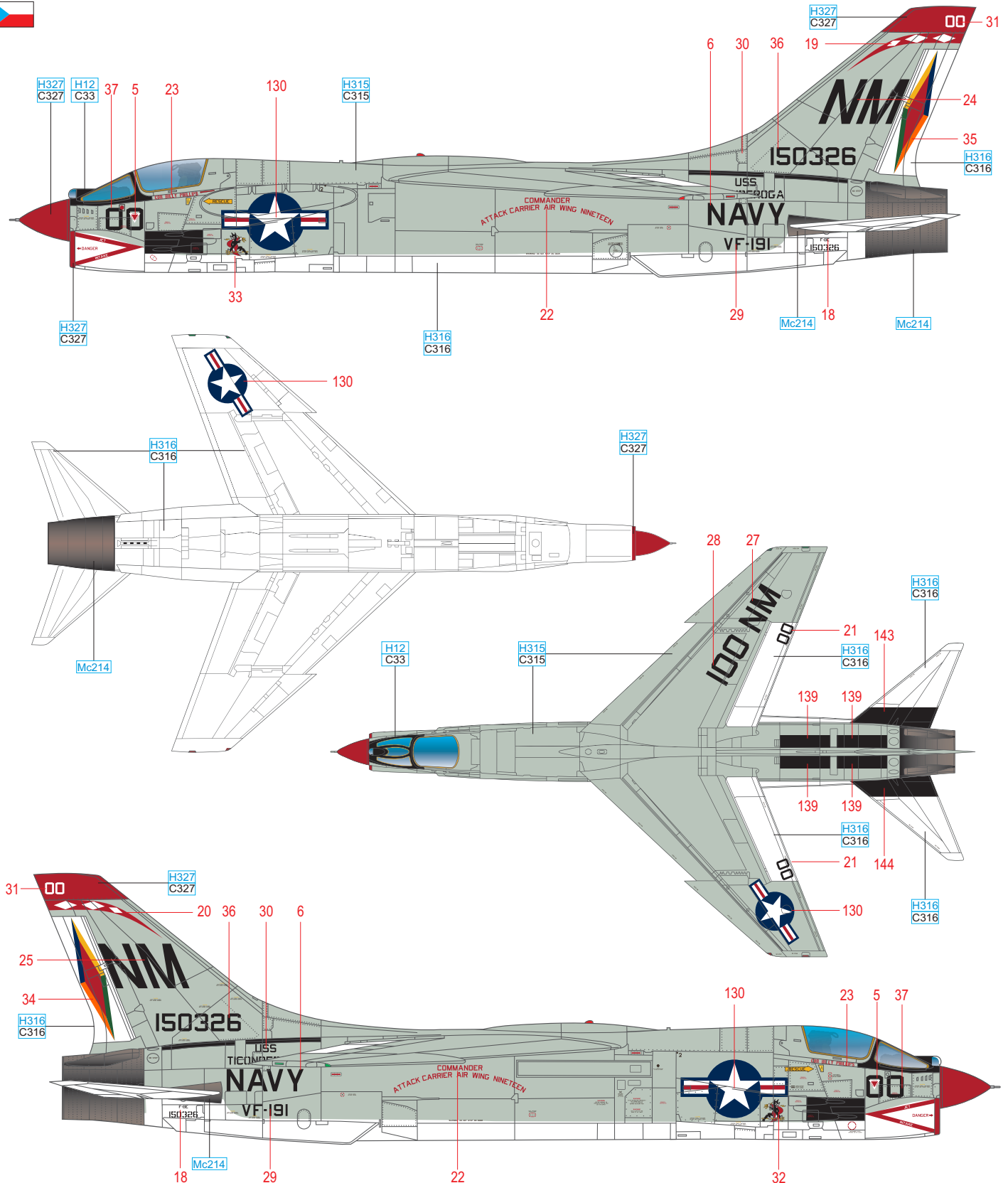
DARK IRON	Mc214				
LIGHT GULL GRAY	H315 C315	INSIGNIA RED	H327 C327	GLOSS WHITE	H316 C316
				FLAT BLACK	H12 C33



E BuNo. 150326, VF-191 „Satan’s Kittens“, USS Ticonderoga, 1967

150326 is depicted here as she looked during work ups for Carrier Air Wing -19's third Vietnam War deployment. As is the tradition in US Naval Aviation, each squadron in the Air Wing designates one aircraft as their CAG (Commander Air Group) aircraft. These aircraft are usually colorfully marked having the standard the unit markings modified with additional colors to signify the various squadrons of the Air Wing. This aircraft served as the personal mount of CVW-19's Commander, Cdr. Billy Phillips. Later in its service life 150326 was converted to the F-8J configuration. Transferred to VF-53, 150326 would deploy again to the Vietnam conflict aboard the USS Bon Homme Richard (CV-31) in 1970. Tragically, this Crusader and her pilot were lost while attempting to recover aboard CV-31 on May 15th, 1970.

ČESKOU VERZI TEXTU NALEZNETE NA
www.eduard.com/s/11110



DARK IRON	Mc214
LIGHT GULL GRAY	H315 C315
INSIGNIA RED	H327 C327
GLOSS WHITE	H316 C316
FLAT BLACK	H12 C33



