

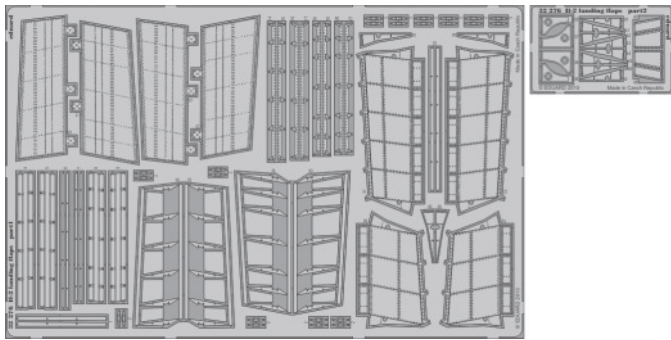


Il-2 landing flaps

eduard

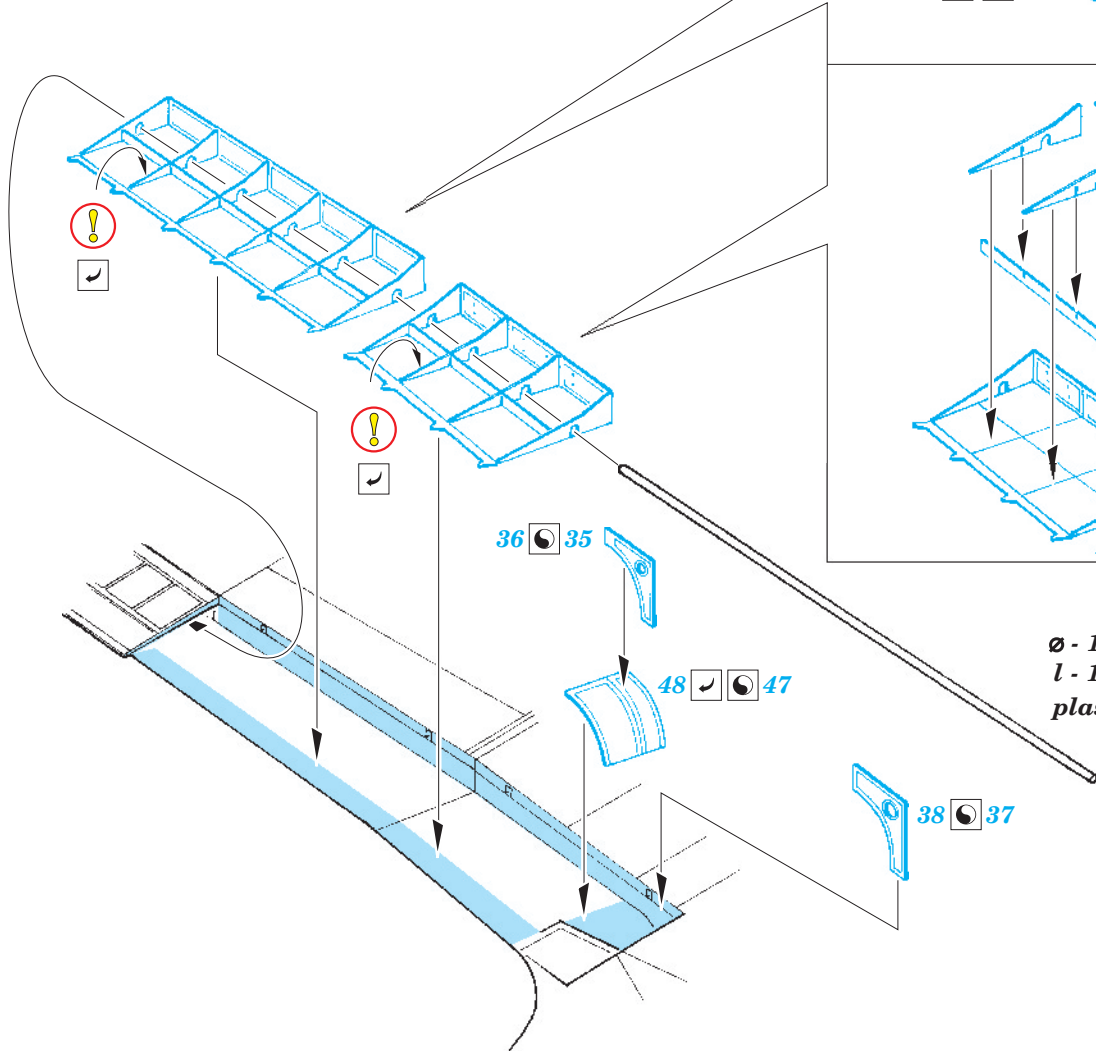
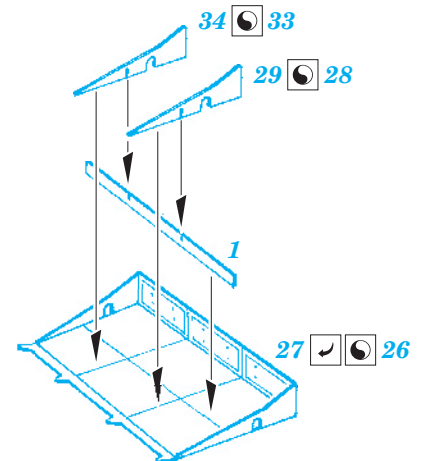
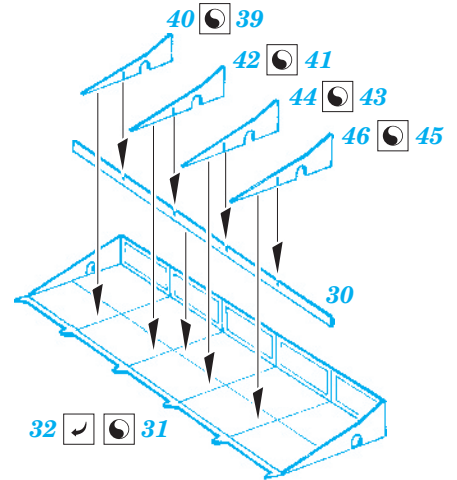
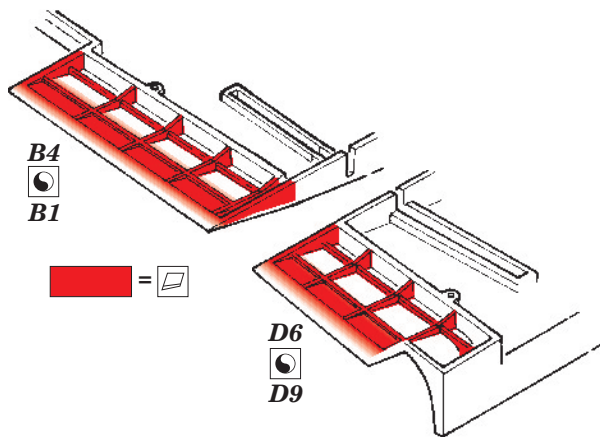
32 276

1/32 scale detail set for Hobby Boss kit • sada detailů pro model 1/32 Hobby Boss

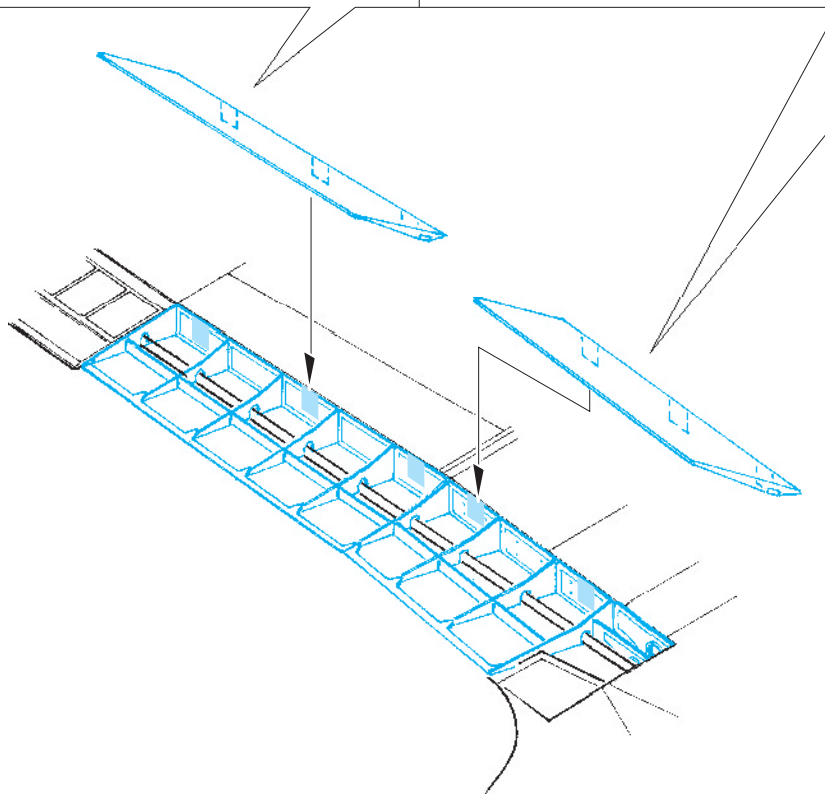
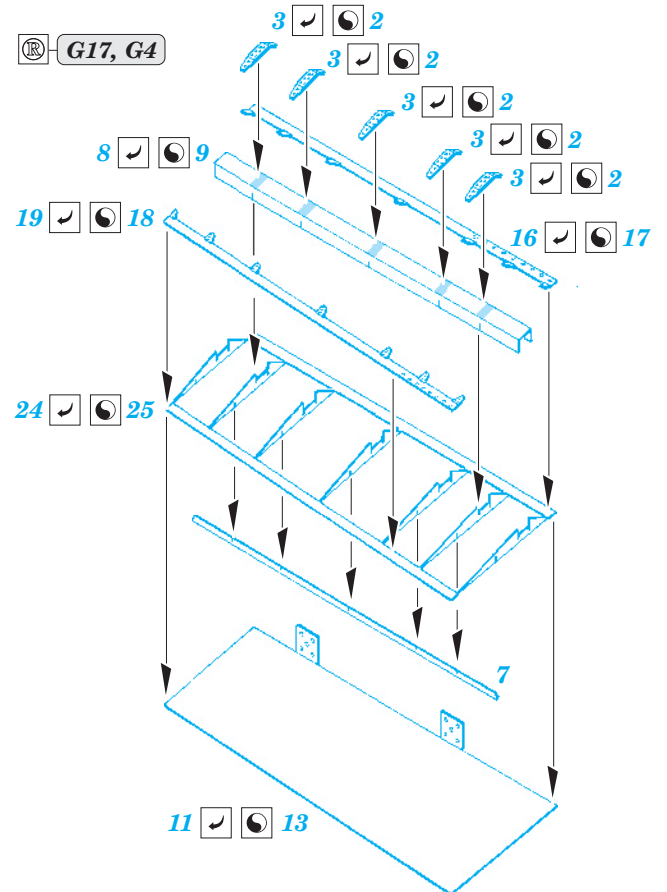
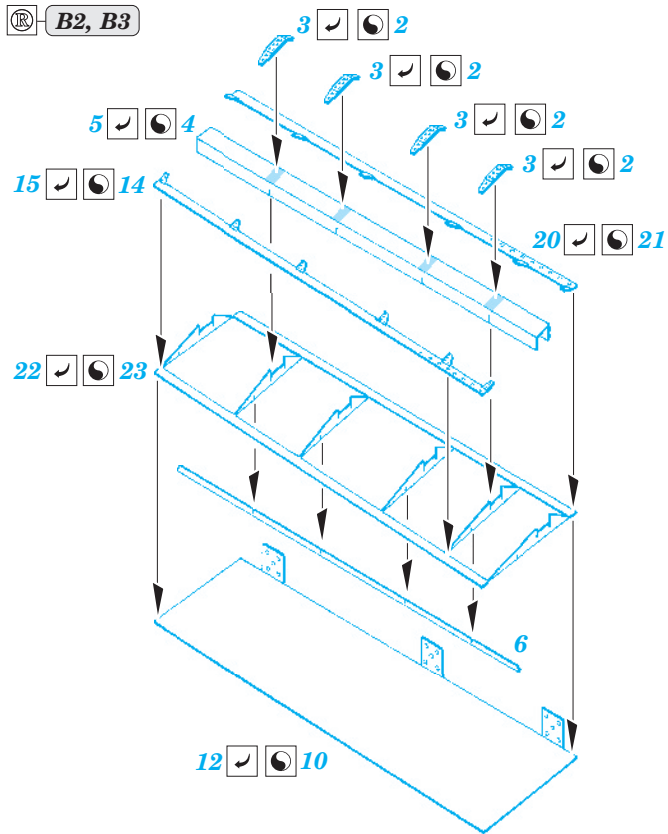


- ★ APPLY EXPRESS MASK AND PAINT BEFORE GLUING
POUŽIT EXPRESS MASK NABARVIT PŘED SLEPENÍM
- ☉ SYMMETRICAL ASSEMBLY
SYMETRICKÁ MONTÁŽ
- ☐ REMOVE
ODSTRANIT
- ☑ BEND
OHNOUT
- ☒ GRIND
OBROUSIT
- ☐ ? OPTION
VOLBA
- ☐ DRILL HOLE
VRTAT OTVOR
- ☐ REPLACE
NAHRADIT

ORIGINAL KIT PARTS
 PŮVODNÍ DÍLY STAVEBNICE
 PHOTO-ETCHED PARTS
 LEPTANÉ DÍLY
 PARTS TO BE REMOVED
 DÍLY K ODSTRANĚNÍ
 FILL
 TMELIT



ø - 1,2mm
 l - 110mm
 plastic



*For further detail sets look for **eduard** 33 062 Il-2 single seater interior S.A.
(not included in this set)*

*For further detail sets look for **eduard** 32 270 Il-2 single seater exterior
(not included in this set)*

*For further detail sets look for **eduard** 32 275 armament and bomb tails
(not included in this set)*