

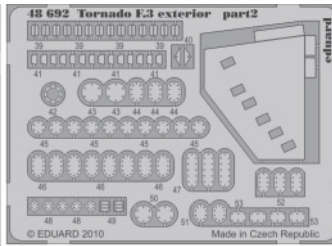
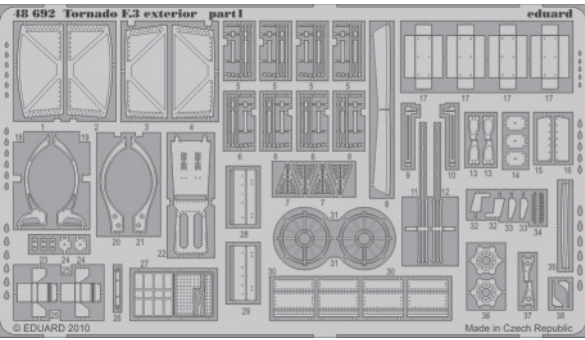


Tornado F.3 exterior

eduard

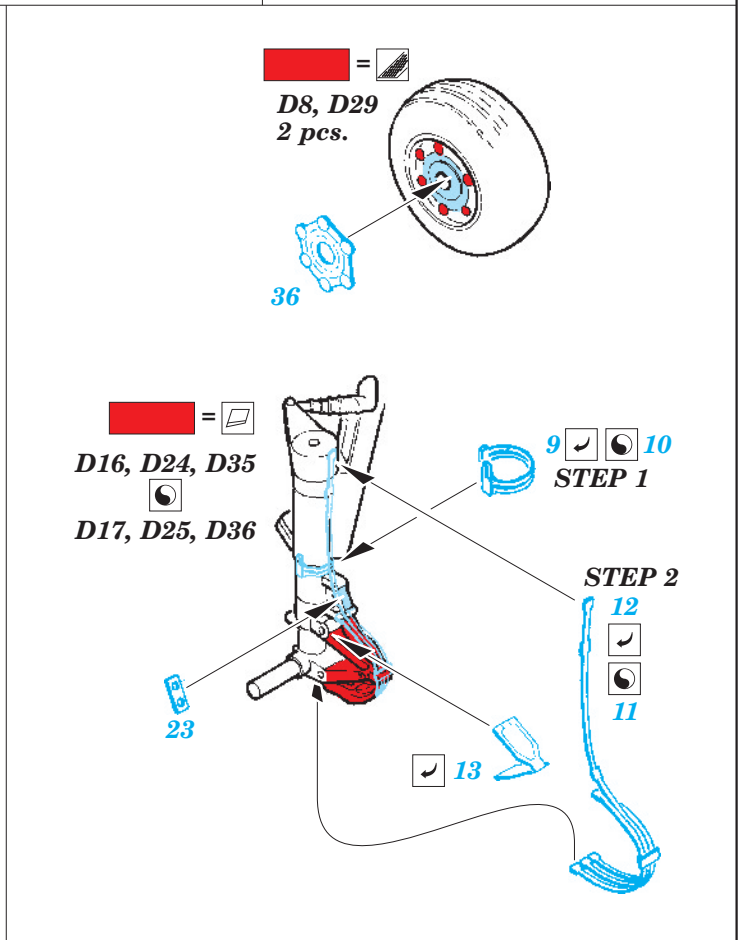
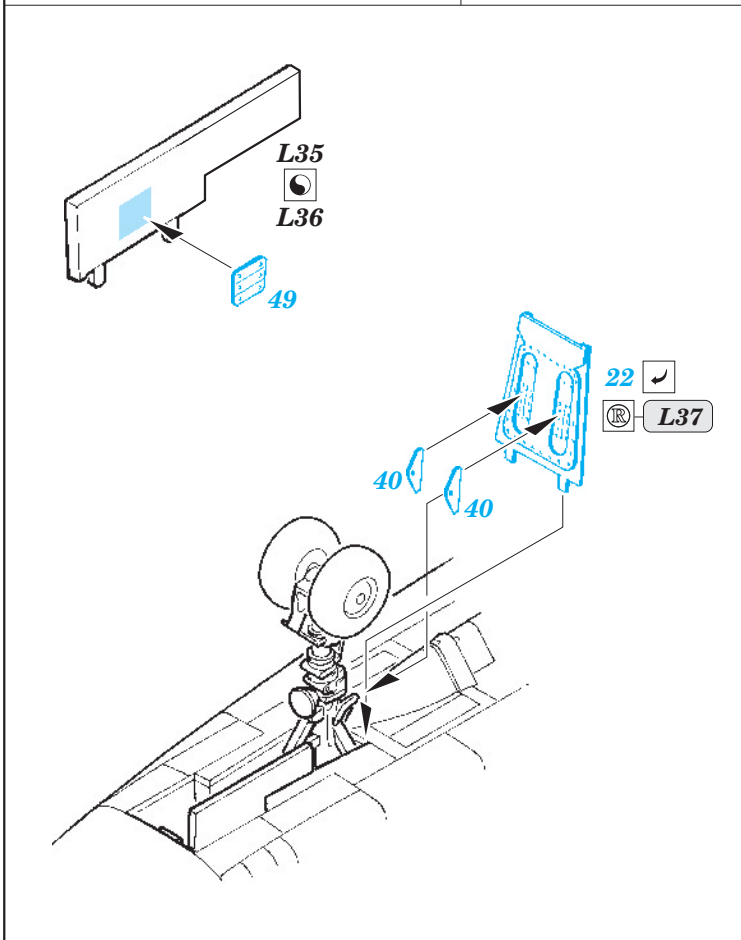
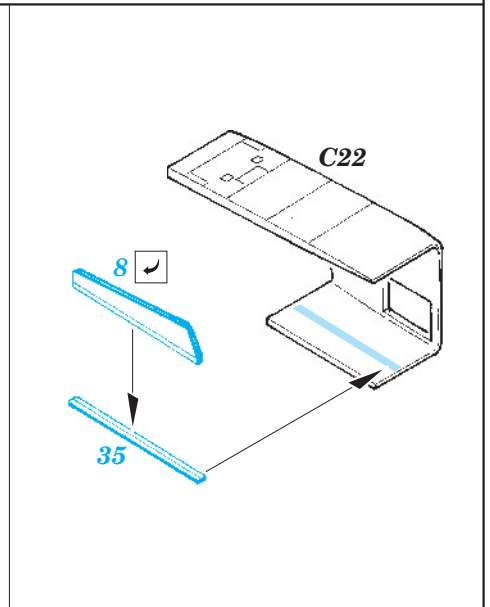
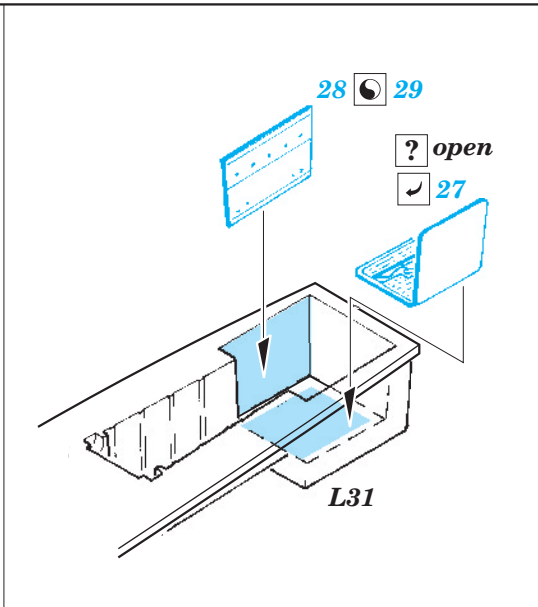
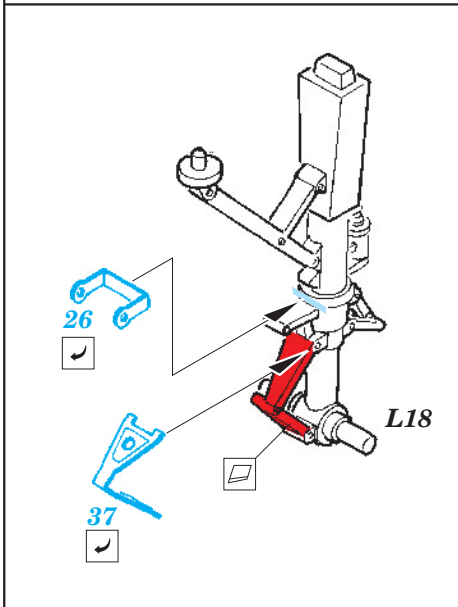
1/48 scale detail set for Hobby Boss kit • sada detailů pro model 1/48 Hobby Boss

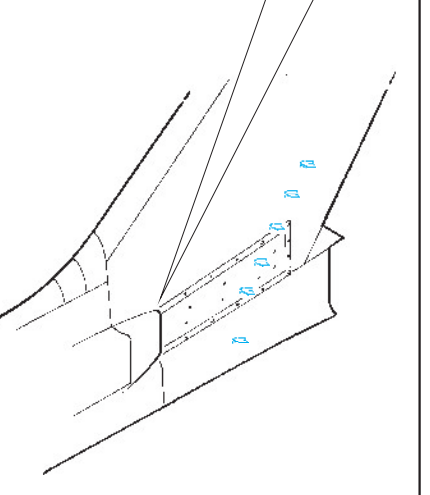
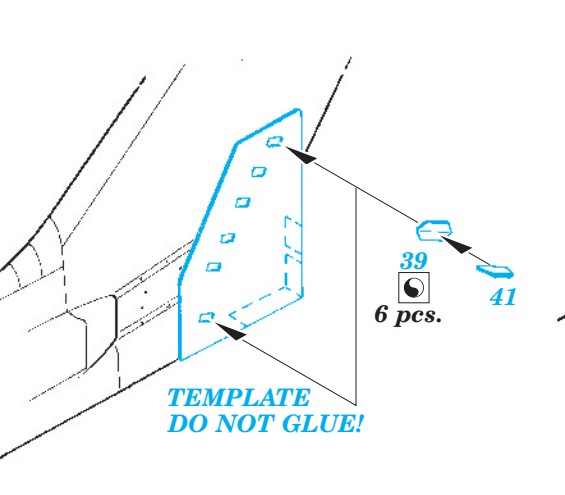
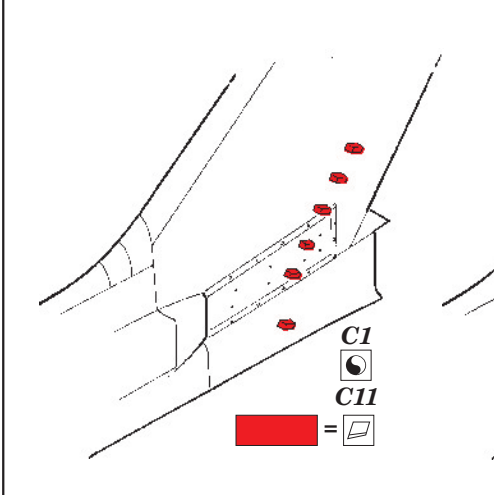
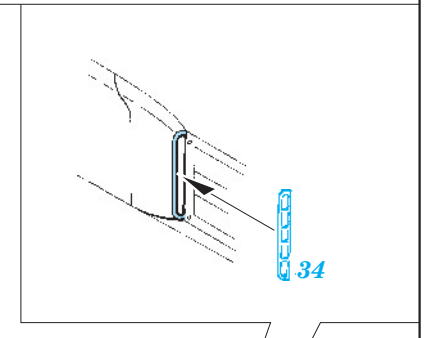
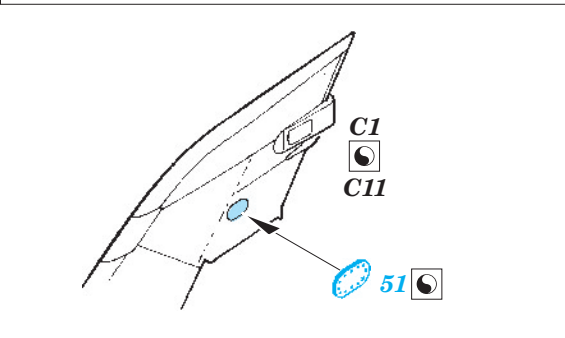
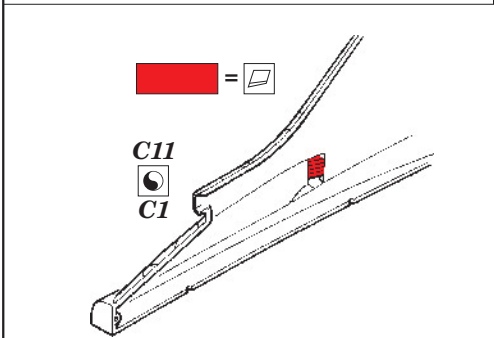
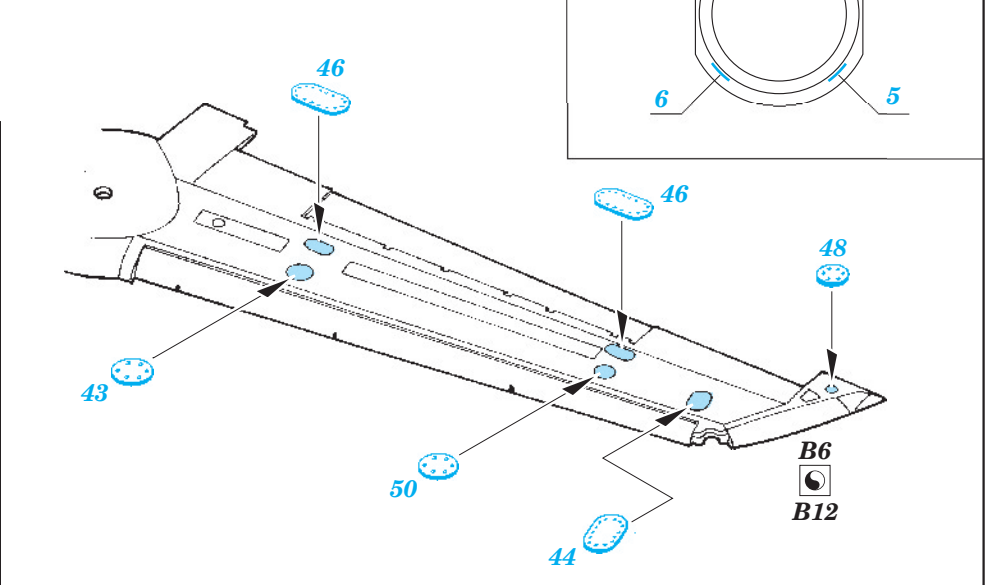
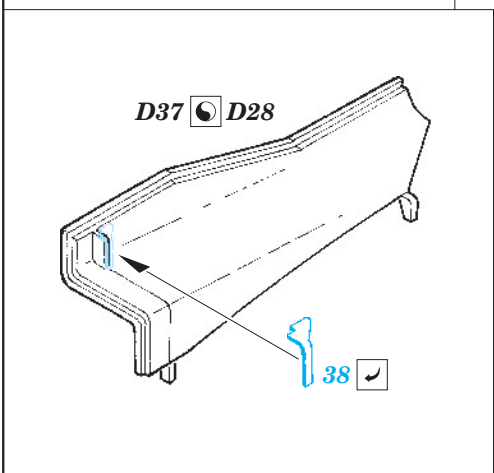
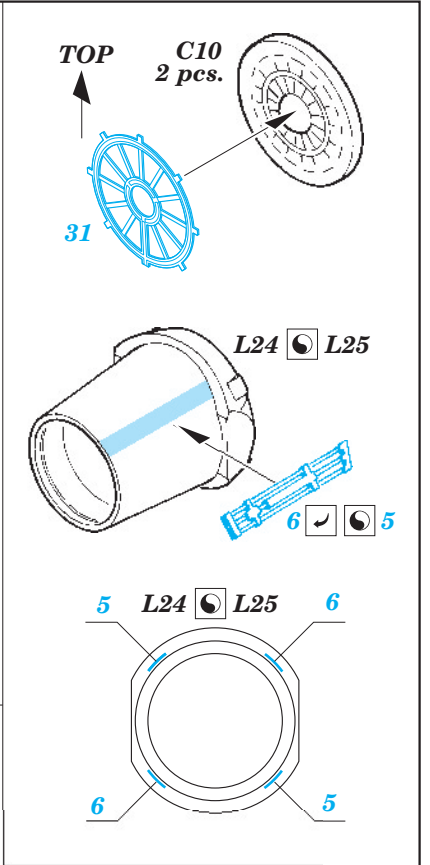
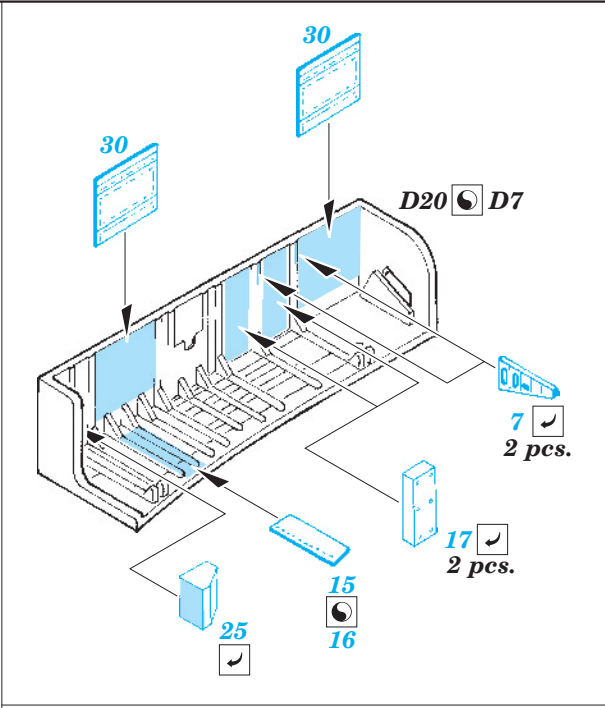
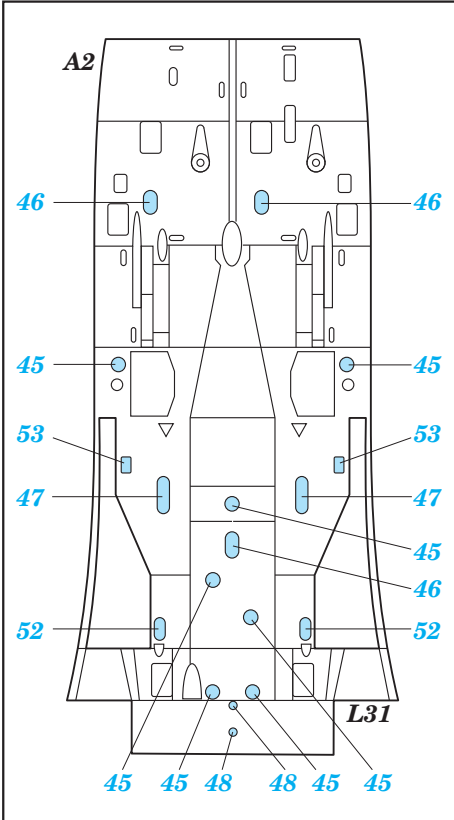
48 692

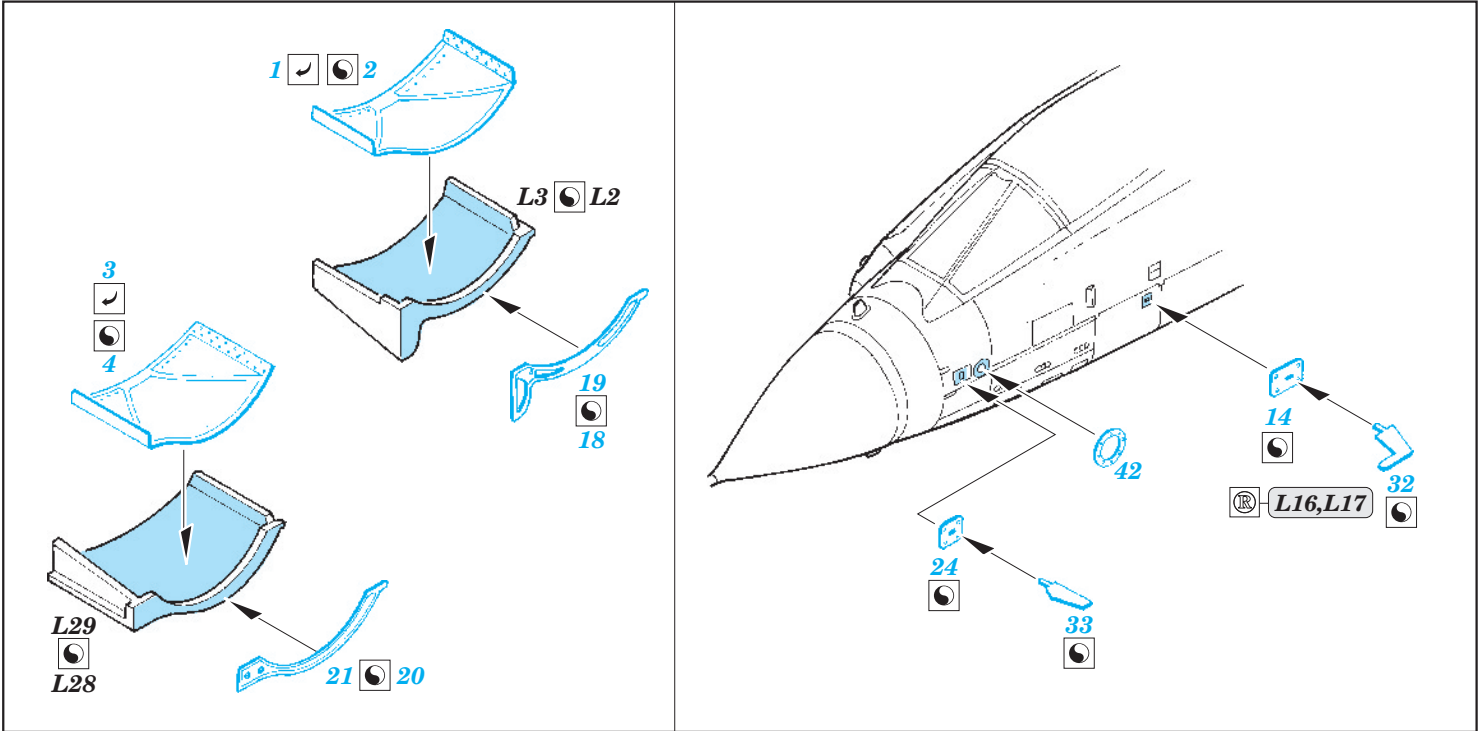


- APPLY EXPRESS MASK AND PAINT BEFORE GLUING
POUŽIT EXPRESS MASK NABARVIT PŘED SLEPENÍM
- SYMMETRICAL ASSEMBLY
SYMETRICKÁ MONTÁŽ
- REMOVE
ODSTRANIT
- GRIND
OBROUSIT
- DRILL HOLE
VRTAT OTVOR
- BEND
OHNOUT
- OPTION
VOLBA
- REPLACE
NAHRADIT

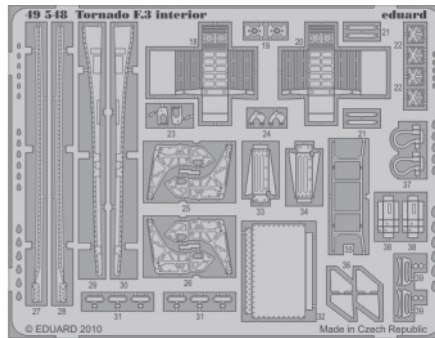
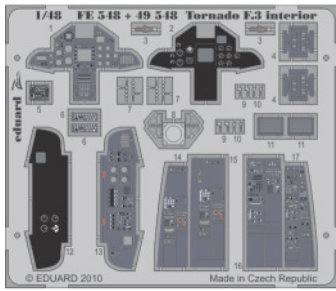
 ORIGINAL KIT PARTS
PŮVODNÍ DÍLY STAVEBNICE
 PHOTO-ETCHED PARTS
LEPTANÉ DÍLY
 PARTS TO BE REMOVED
DÍLY K ODSTRANĚNÍ
 FILL
TMELIT



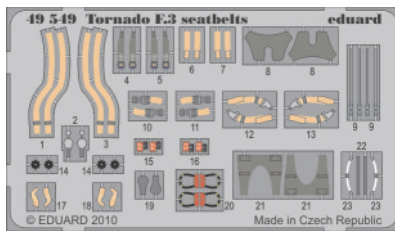




*For further detail sets look for **eduard** 49 548 Tornado F.3 interior S.A. (not included in this set)*



*For further detail sets look for **eduard** 49 549 Tornado F.3 seatbelts (not included in this set)*



*For further detail sets look for **eduard** 48 690 Tornado Air brake and flaps (not included in this set)*

