

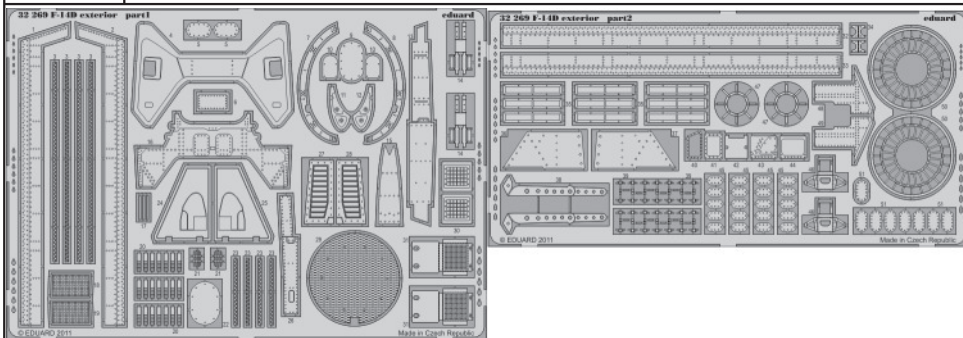


# F-14D exterior

eduard

1/32 scale detail set for TRUMPETER kit • sada detailů pro model 1/32 TRUMPETER

## 32 269



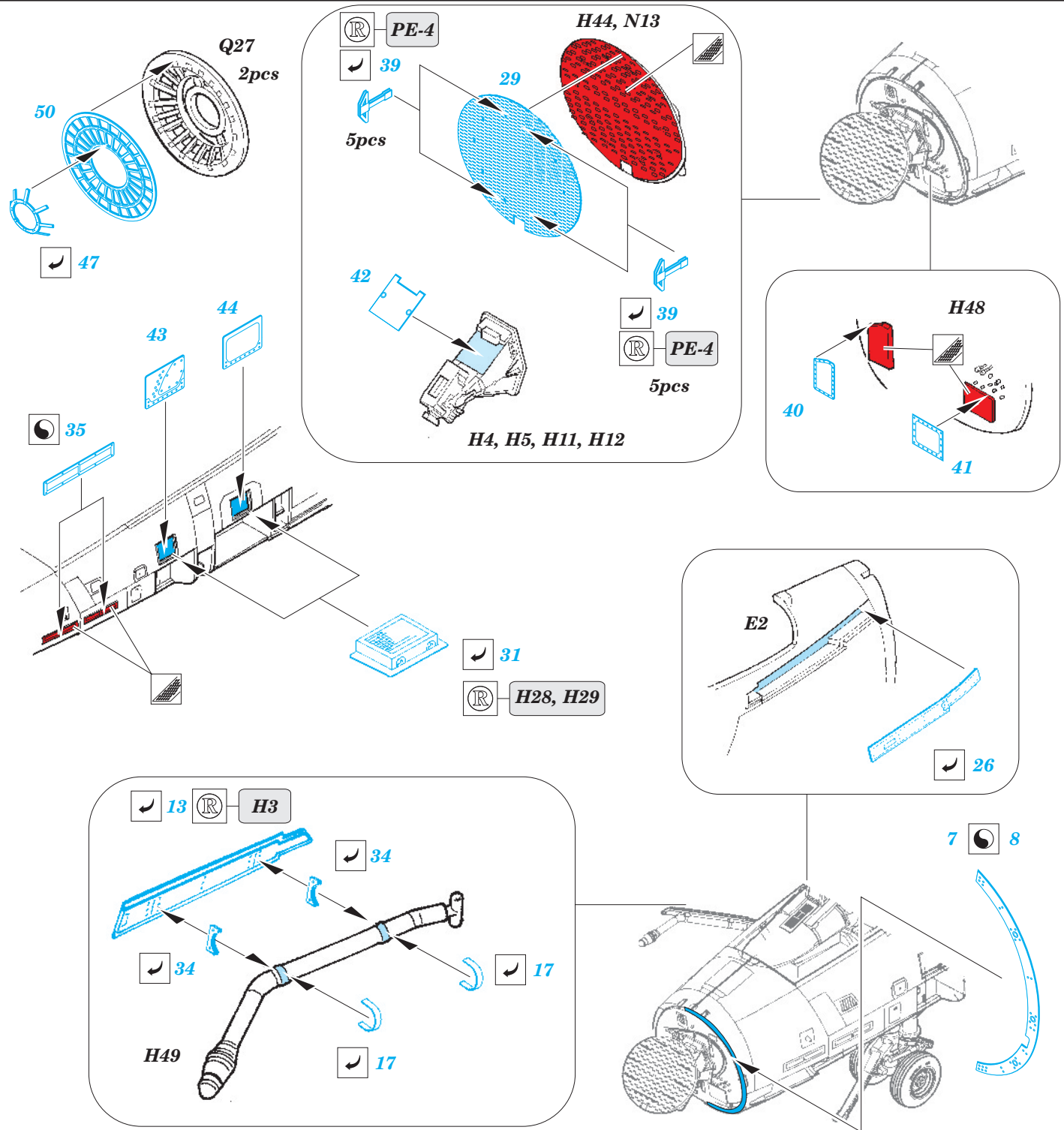
- APPLY EXPRESS MASK AND PAINT BEFORE GLUING  
POUŽIT EXPRESS MASK NABARVIT PŘED SLEPENÍM
- SYMMETRICAL ASSEMBLY  
SYMETRICKÁ MONTÁŽ
- REMOVE  
ODSTRANIT
- GRIND  
OBROUSIT
- DRILL HOLE  
VRTAT OTVOR
- BEND  
OHNOUT
- OPTION  
VOLBA
- REPLACE  
NAHRADIT

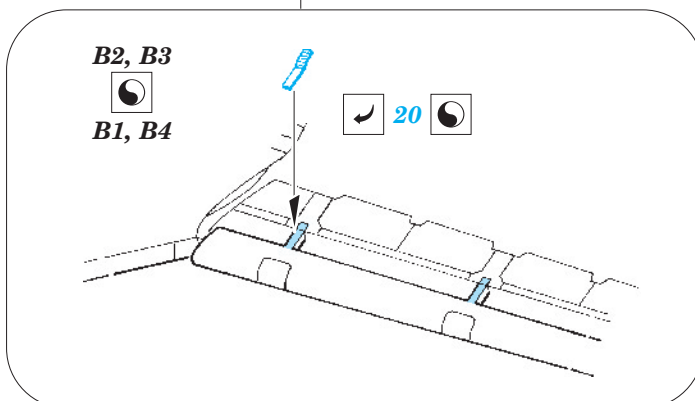
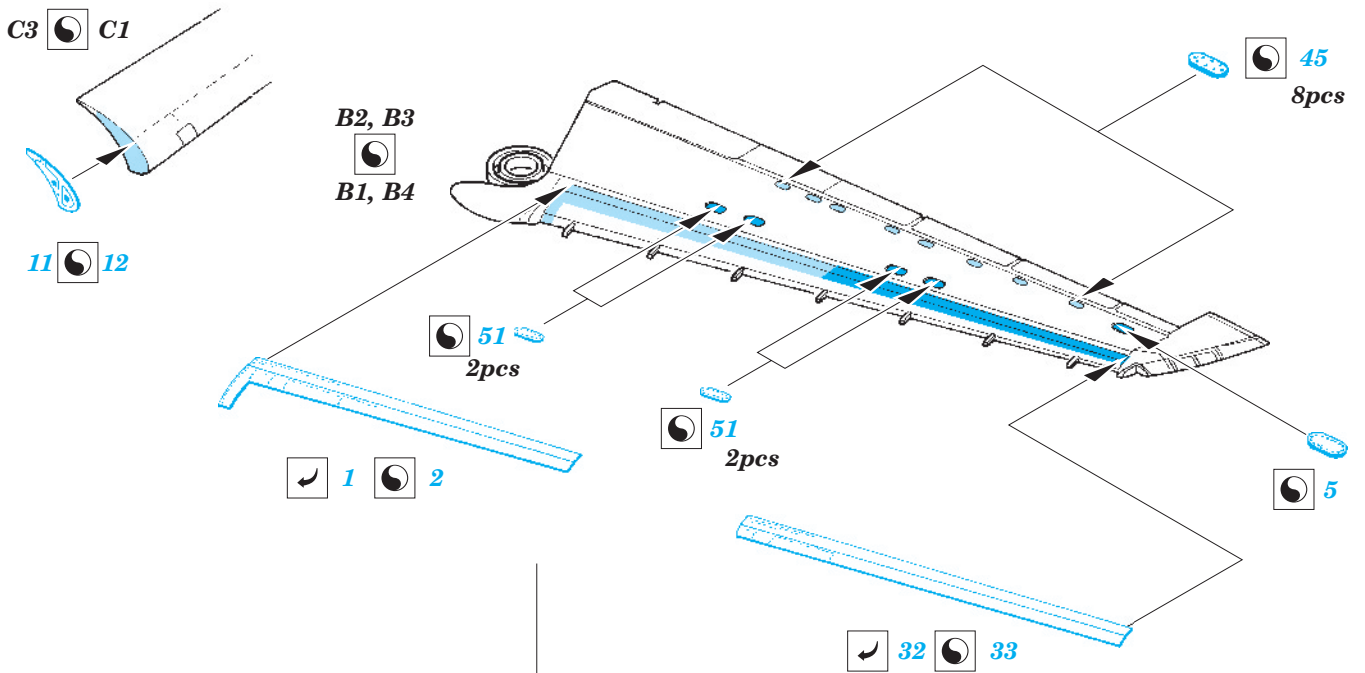
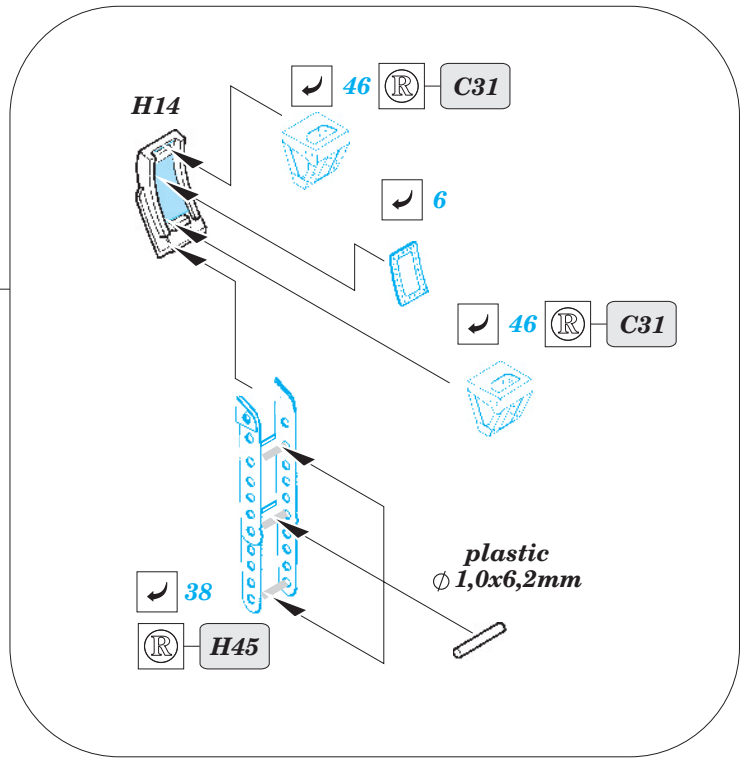
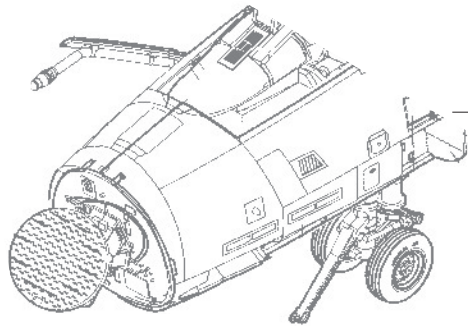
ORIGINAL KIT PARTS  
PŮVODNÍ DÍLY STAVEBNICE

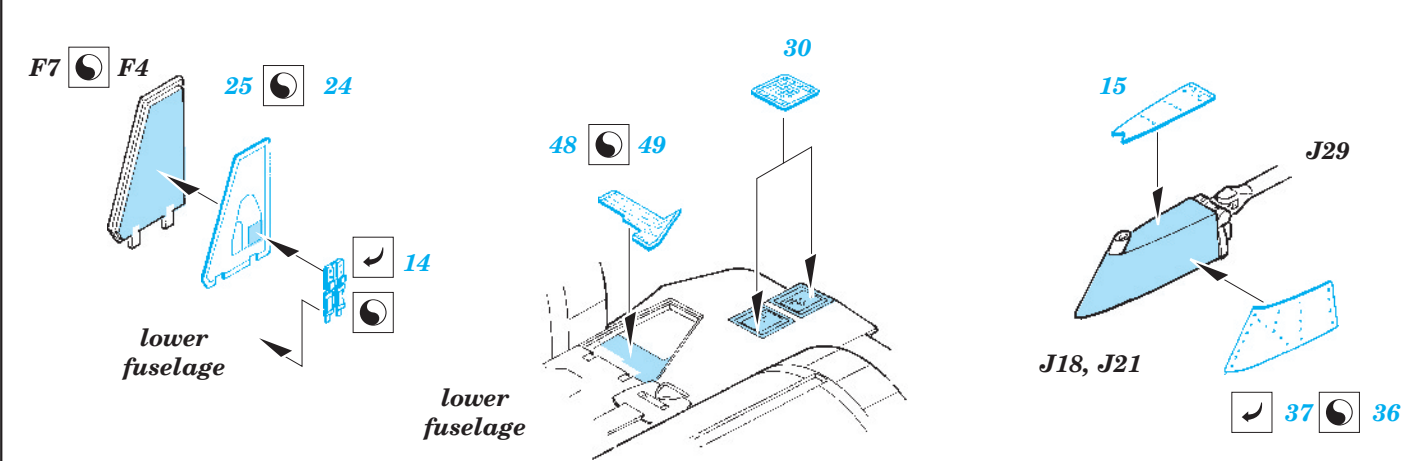
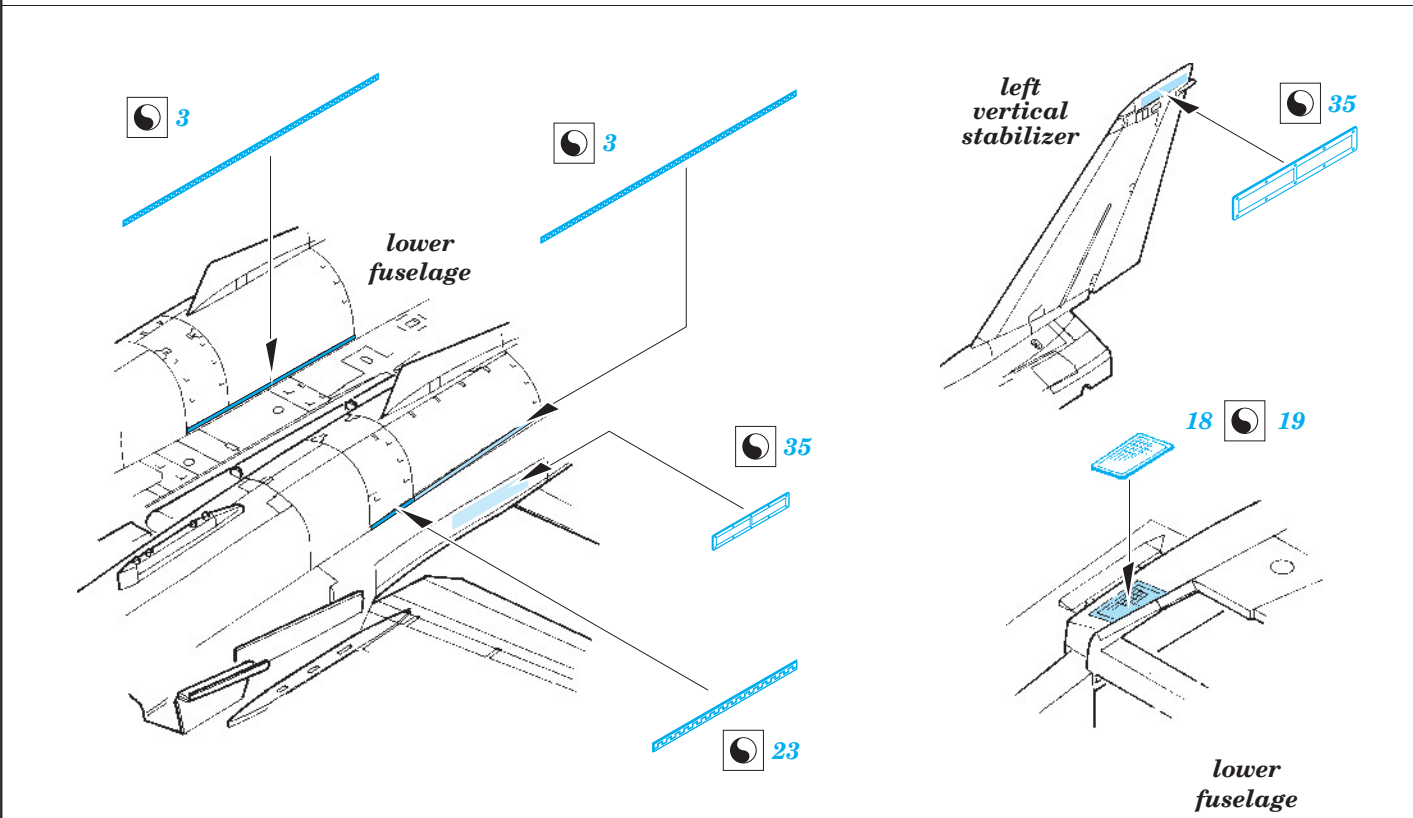
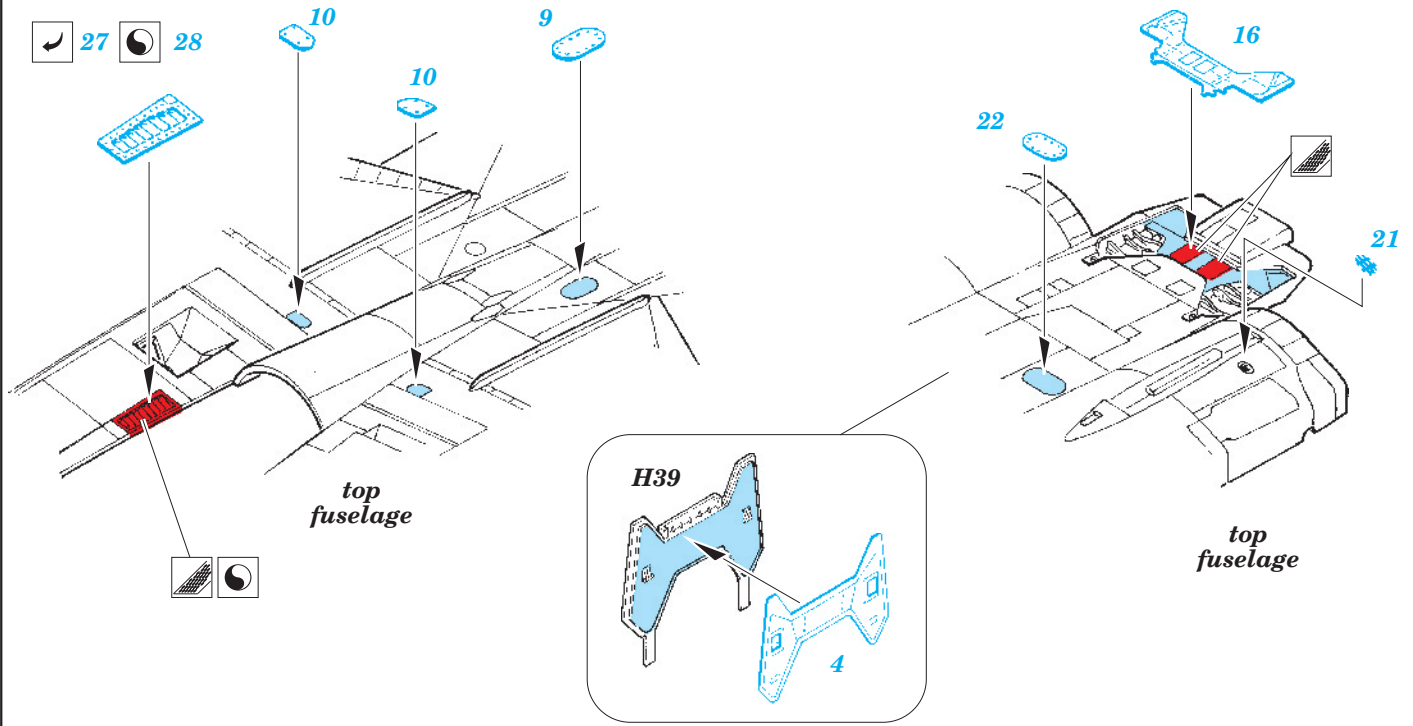
PHOTO-ETCHED PARTS  
LEPTANÉ DÍLY

PARTS TO BE REMOVED  
DÍLY K ODSTRANĚNÍ

FILL  
TMELIT

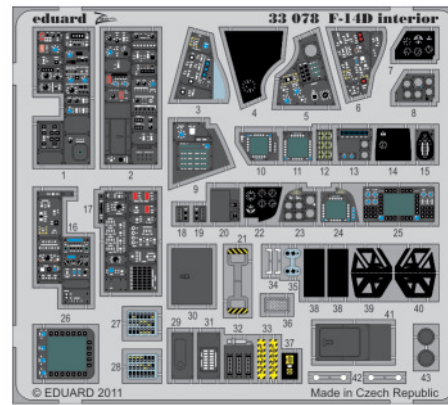
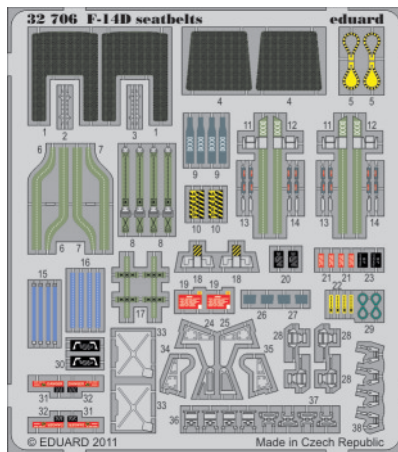




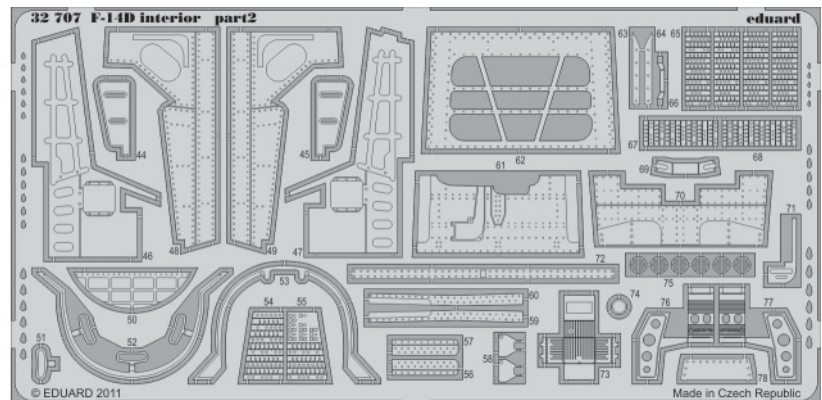
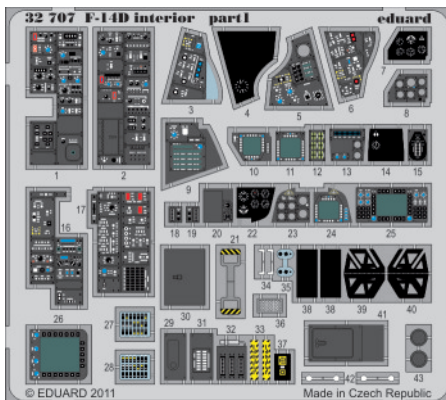




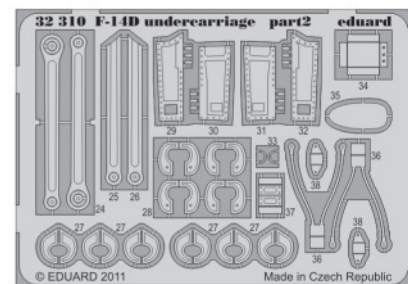
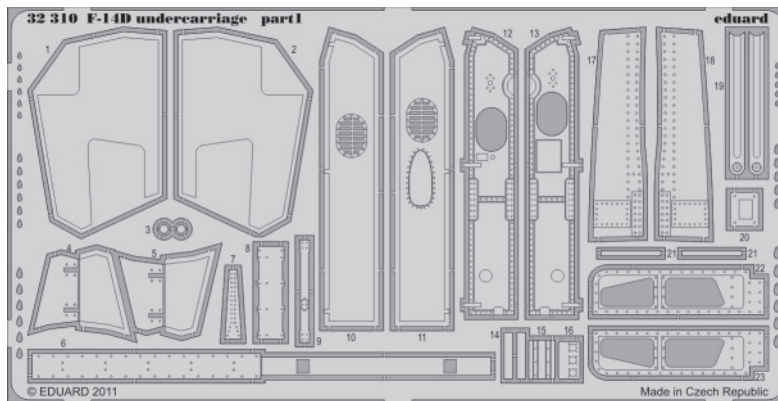
For further detail sets look for **eduard** 32 706 F-14D seatbelts and F-14D interior  
(not included in this set)



For further detail sets look for **eduard** 32 307 F-14D interior  
(not included in this set)



For further detail sets look for **eduard** 36 307 F-14D undercarriage  
(not included in this set)



For further detail sets look for **eduard** 32 309 F-14D armament  
(not included in this set)

