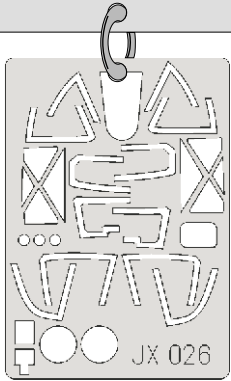


eduard
MASK

P-38 Lightning

The die-cut mask for accurate canopy frame painting of the
Trumpeter 1/32 KIT

JX 026



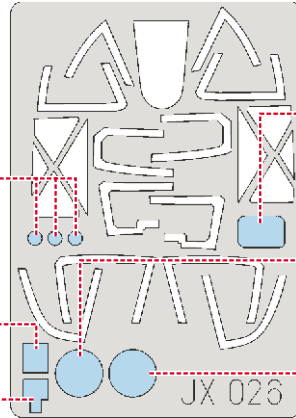
K13
3pcs.

K11

K9

K7

K8

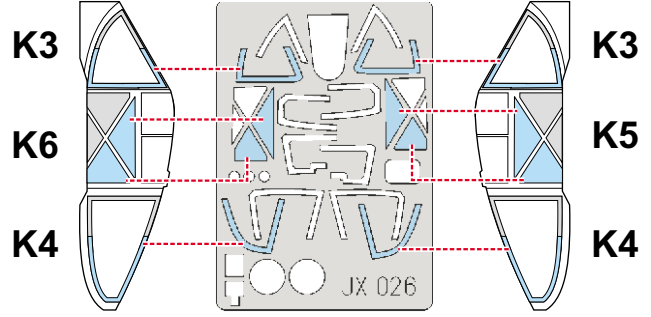
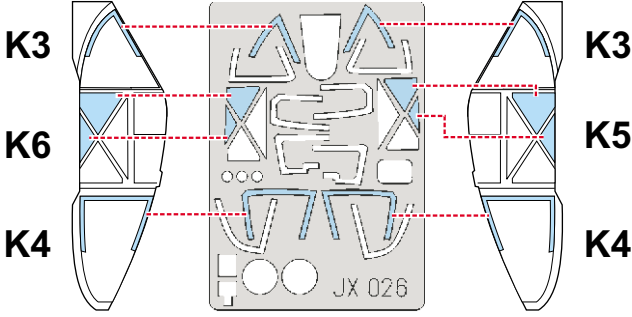


1.)

2.)

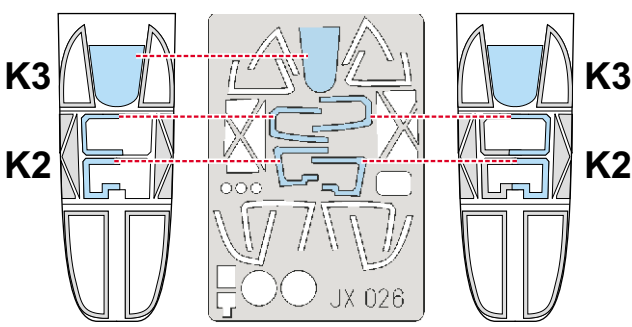
3.)

4.)

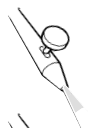


5.)

6.)

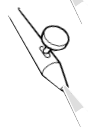


7.)



INTERIOR COLOR

8.)



CAMOUFLAGE COLOR

9.)

REMOVE MASK

LIQUID MASK ■

