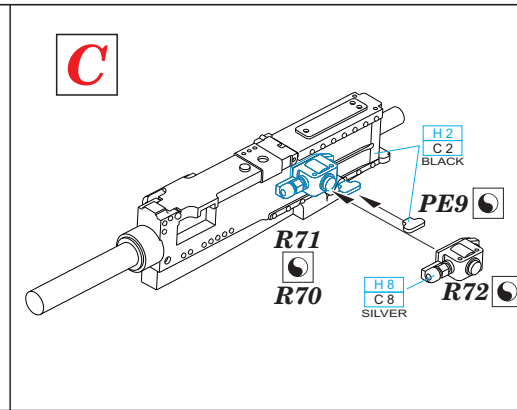
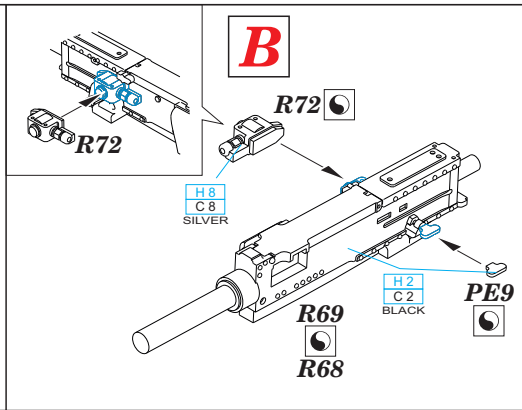
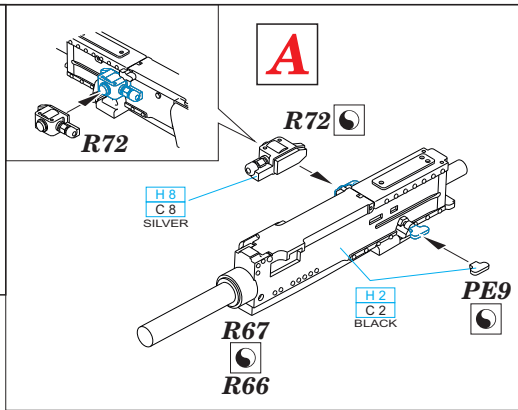
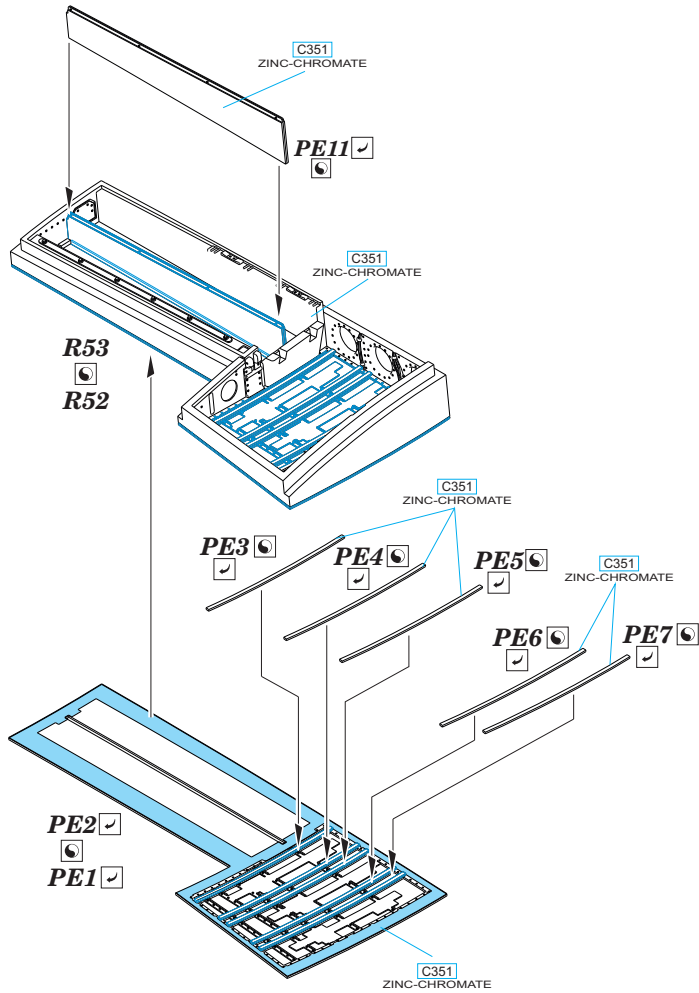




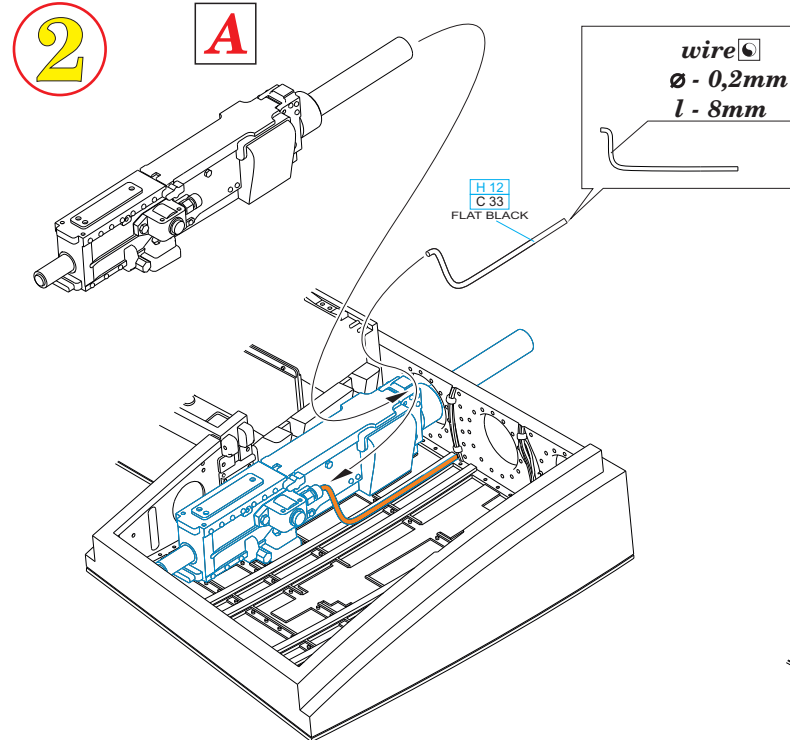
- REMOVE ODSTRANIT
- BEND OHNOUT
- GRIND OBROUSIT
- OPTION VOLBA
- DRILL HOLE VRTAT OTVOR
- REPLACE NAHRADIT
- SYMMETRICAL ASSEMBLY SYMETRICKÁ MONTÁŽ
- SCRIBE THE PANEL AND HOLES RYTI
- REVERSE SIDE OTOČIT



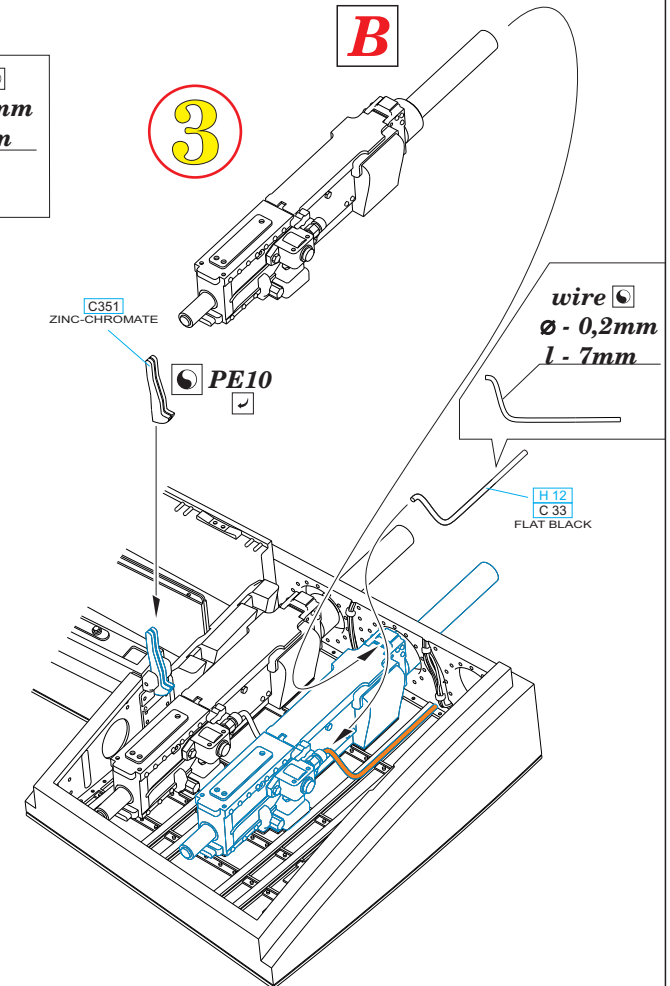
**1**



**2**



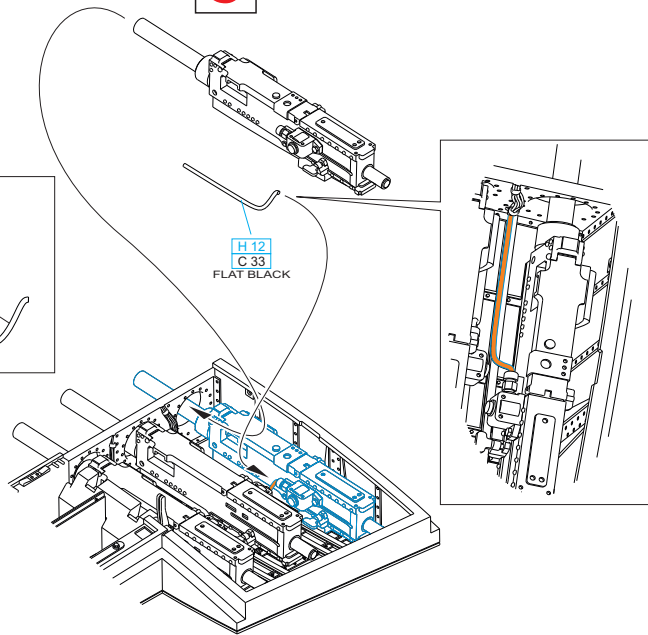
**3**



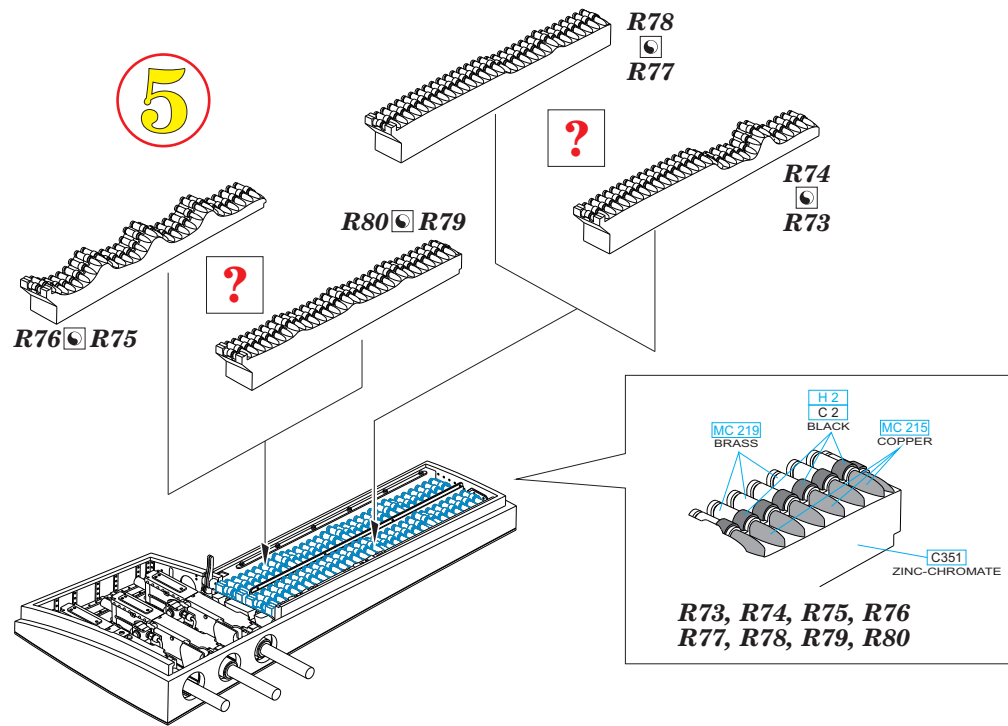
4

C

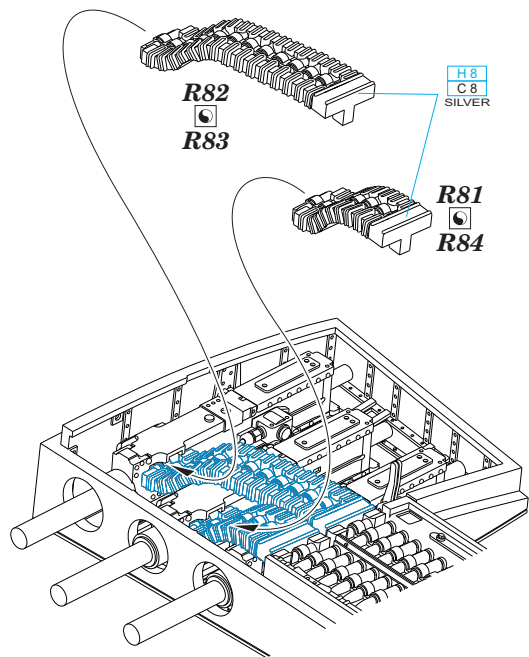
wire  
Ø - 0,2mm  
l - 8,5mm



5



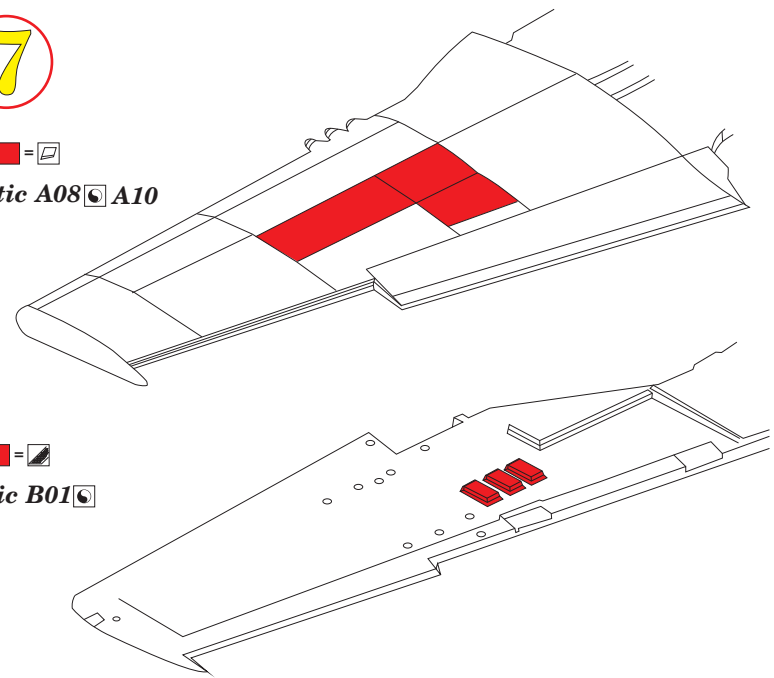
6



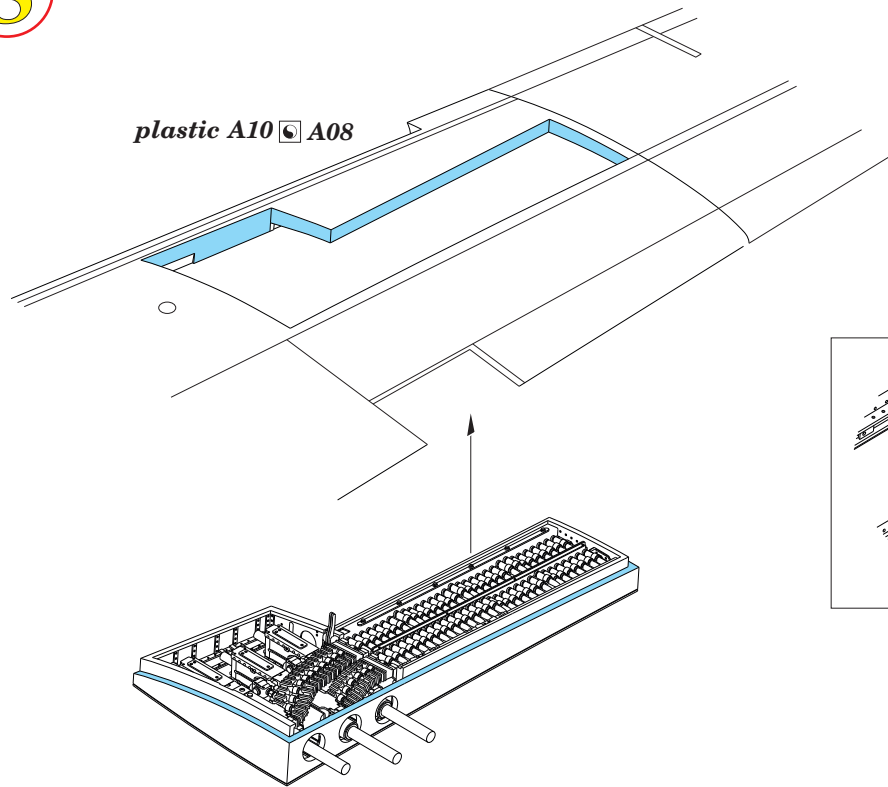
7

plastic A08 A10

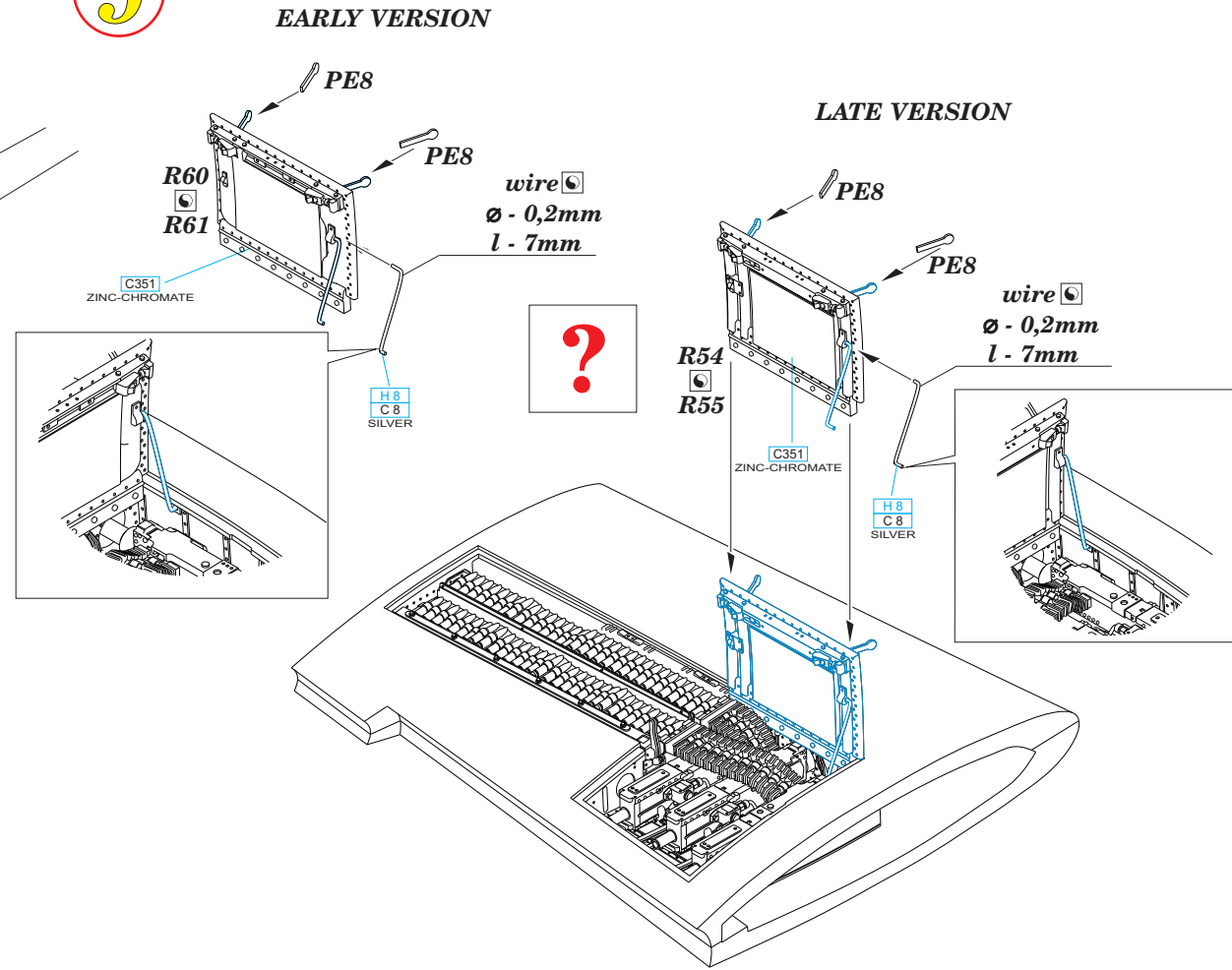
plastic B01



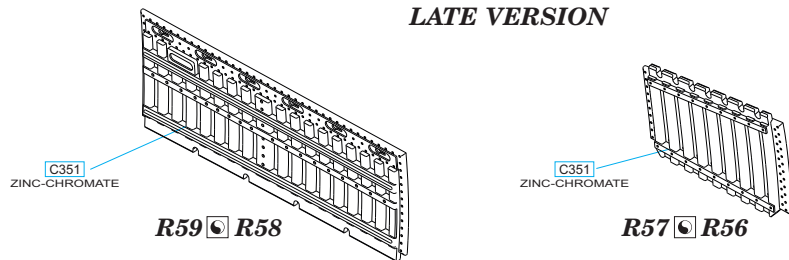
8



9

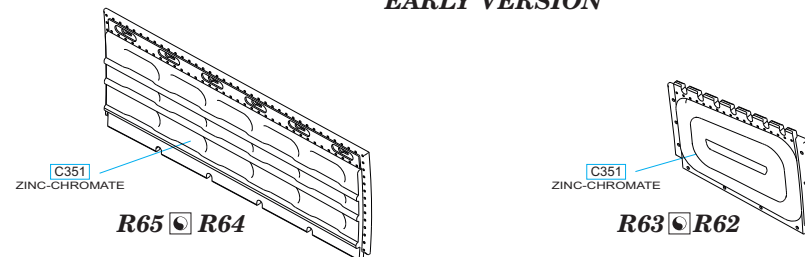


**LATE VERSION**



**INNER SURFACES**

**EARLY VERSION**



**INNER SURFACES**