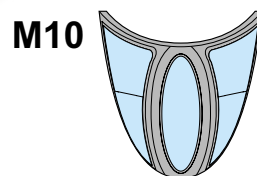
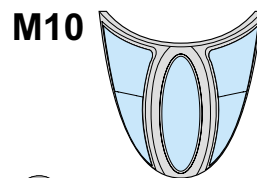
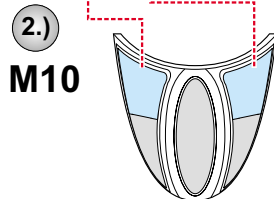
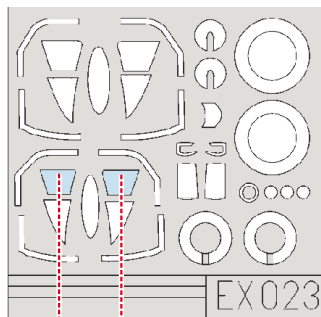
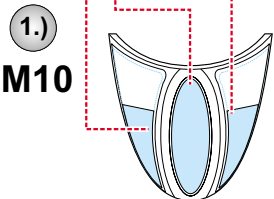
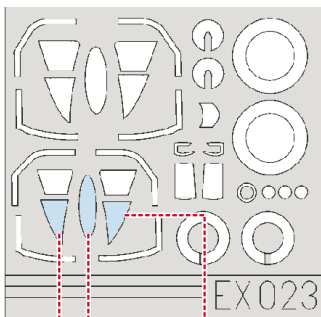
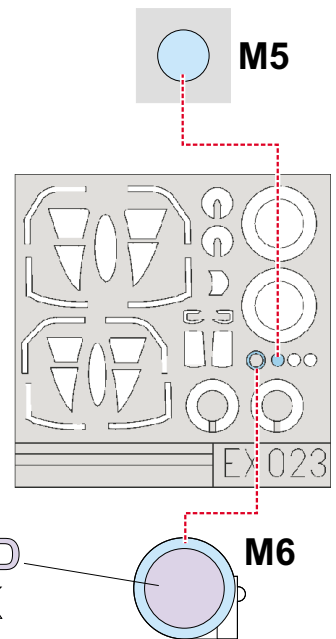
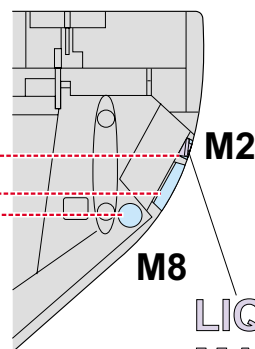
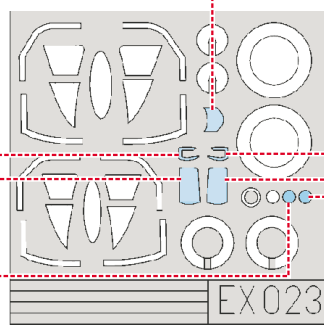
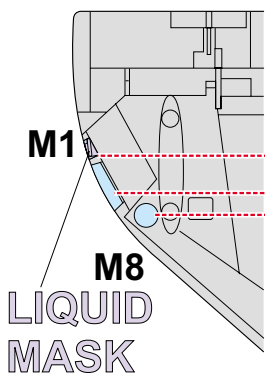
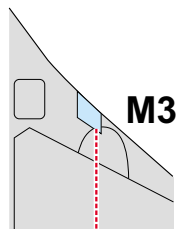
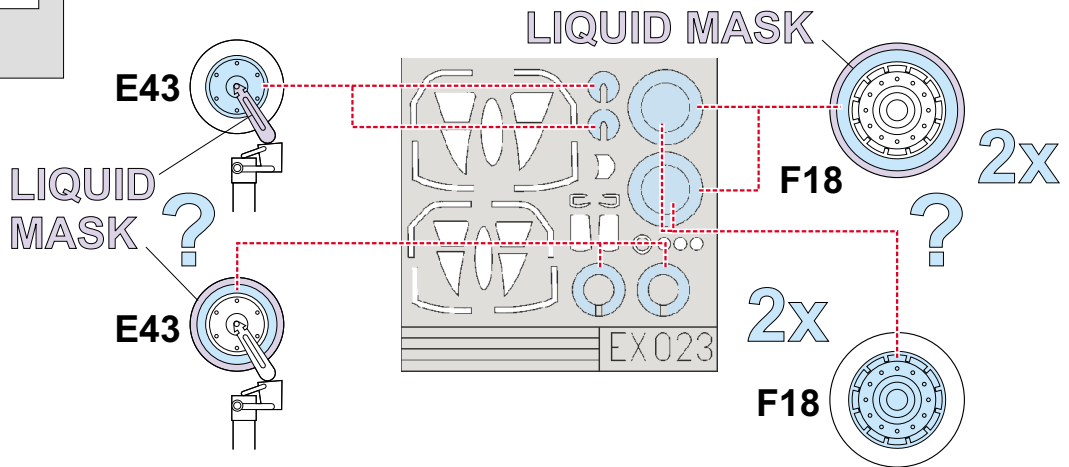
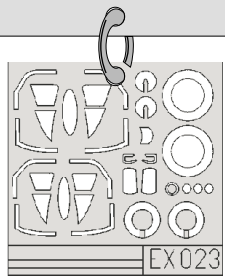


eduard
MASK

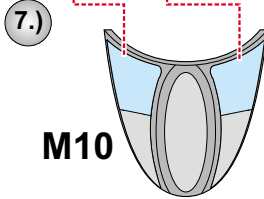
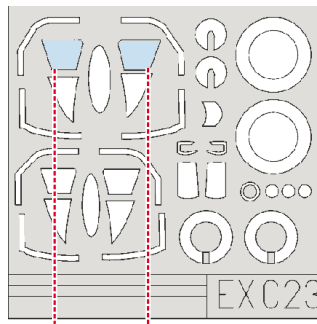
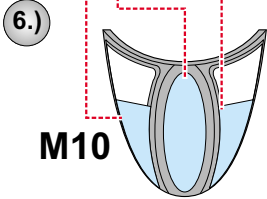
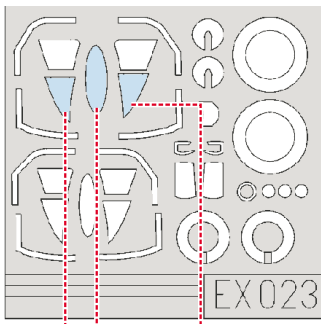
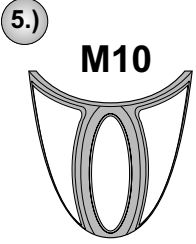
A-4 E/F Skyhawk

The die-cut mask for accurate canopy frame painting of the
Hasegawa 1/48 KIT

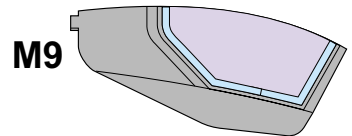
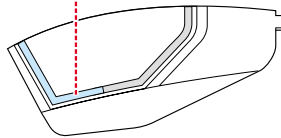
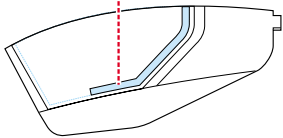
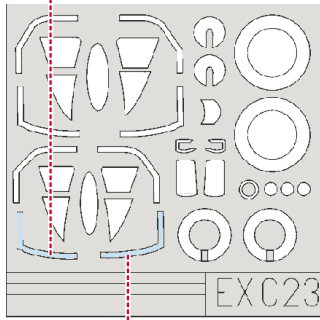
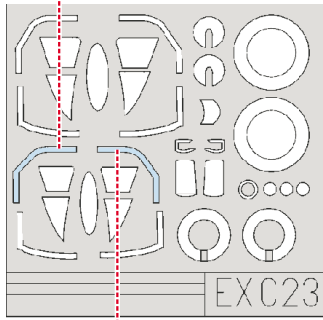
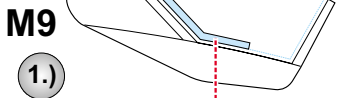
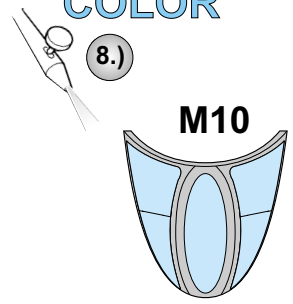
EX 023



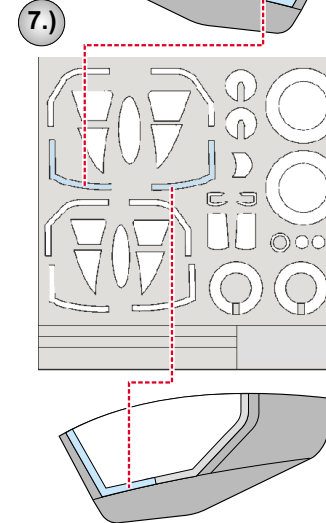
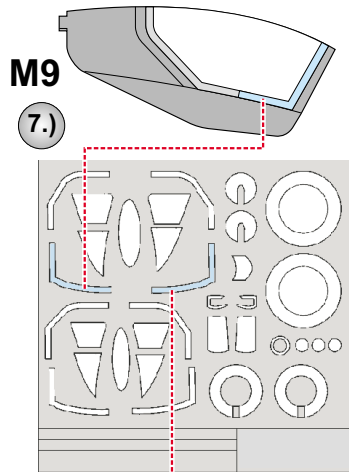
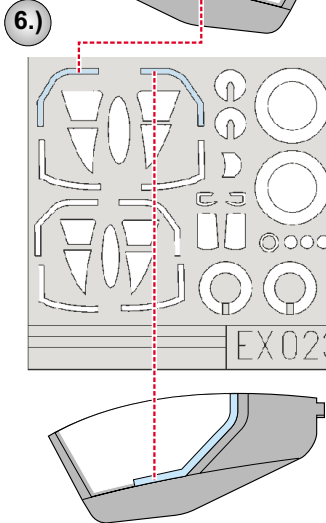
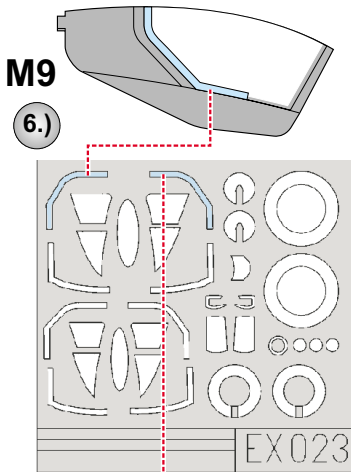
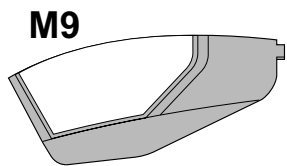
REMOVE MASK



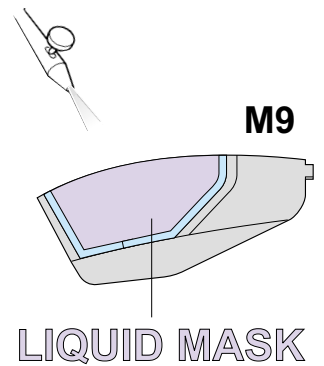
CAMOUFLAGE COLOR



REMOVE MASK



CAMOUFLAGE COLOR



REFERENCES: <http://www.aircraftresourcenter.com/>
in Detail &Scale #32 - A-4 Skyhawk
Aeroguide #14 Skyhawk