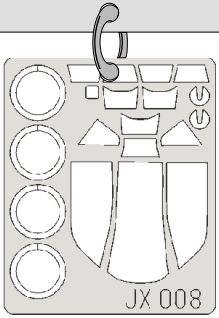


eduard
MASK

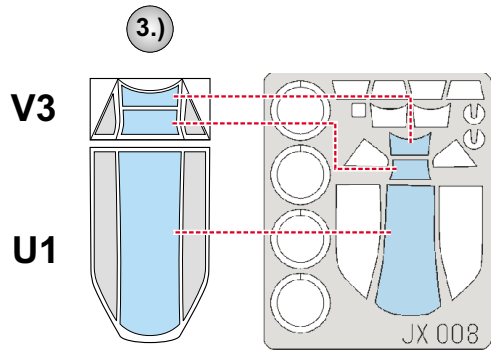
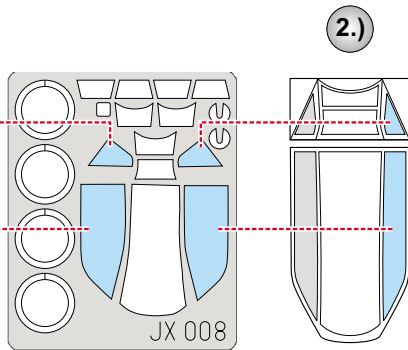
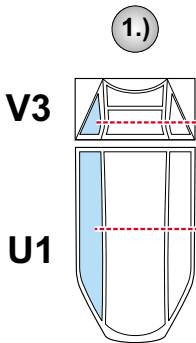
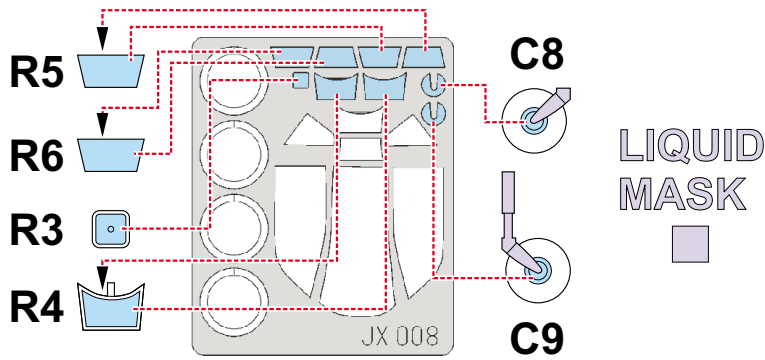
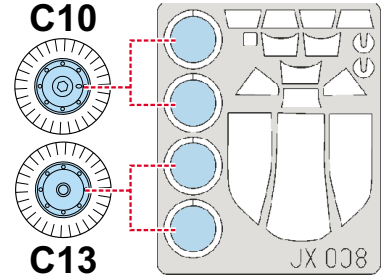
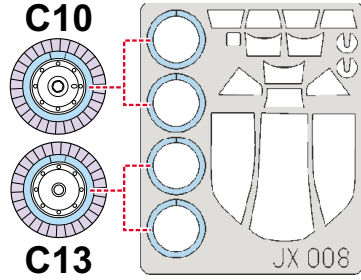
Bf109K-4

The die-cut mask for accurate canopy frame painting of the
Hasegawa 1/32 KIT

JX 008



LIQUID MASK ■



4.) INTERIOR COLOR

5.) CAMOUFLAGE COLOR

6.) REMOVE MASK

