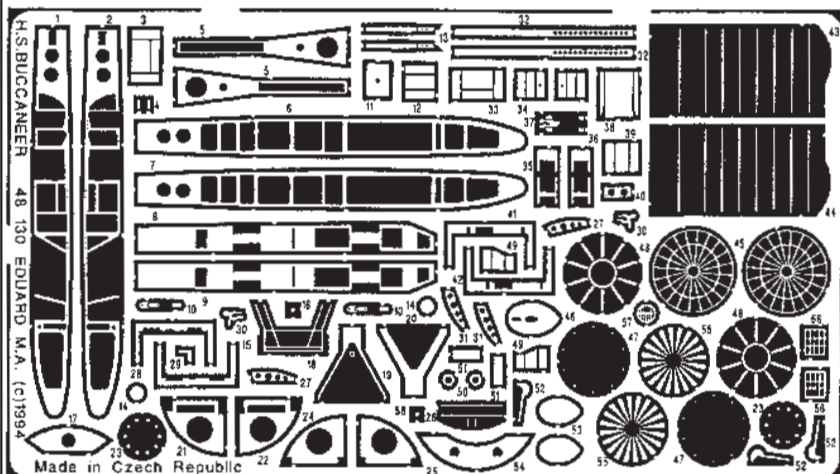




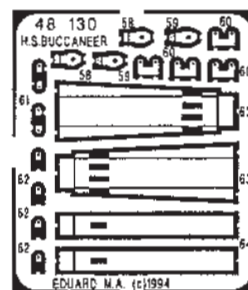
H.S. BUCCANEER -exterior

48 130

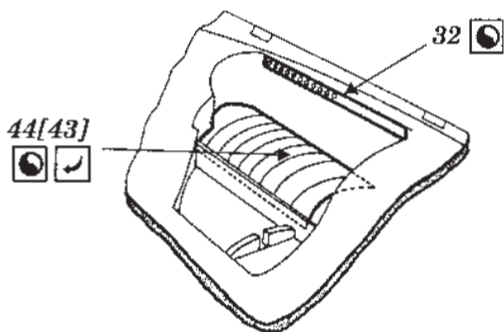
1/48 scale detail set for Airfix kit



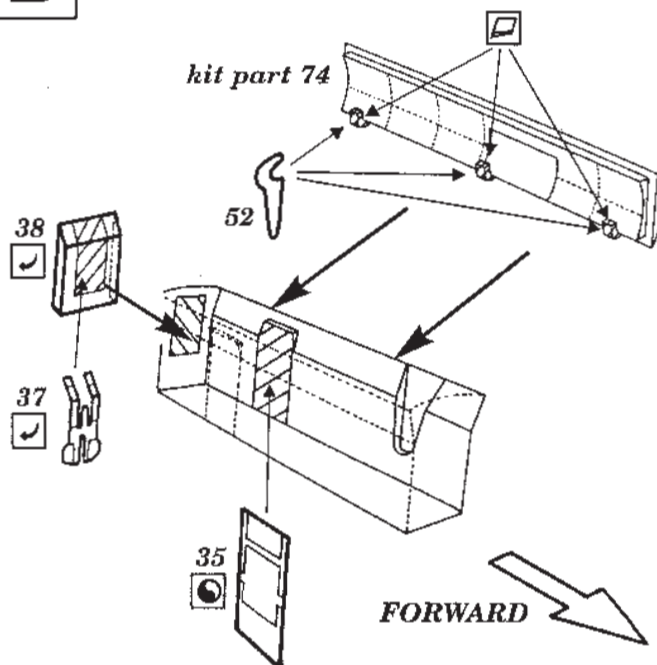
- BEND
- OPPOSITE SIDE
- REPLACE
- REMOVE



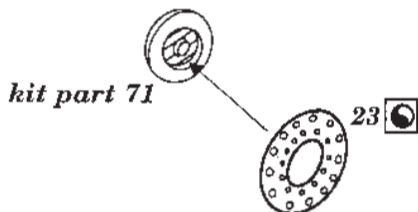
A MAIN GEAR WELL



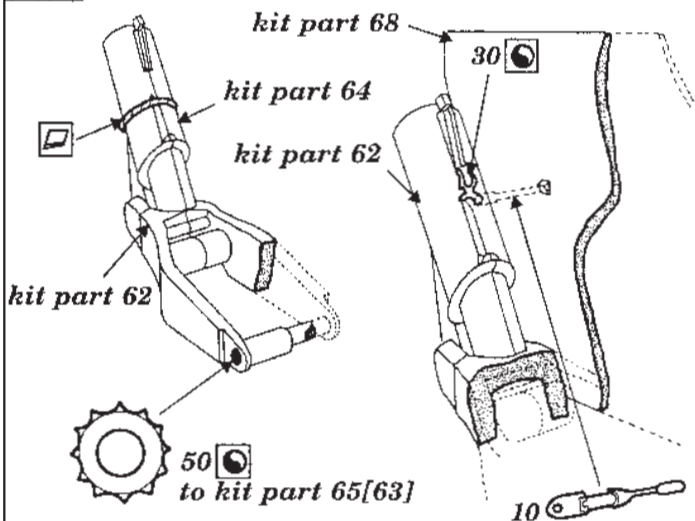
B NOSE GEAR WELL



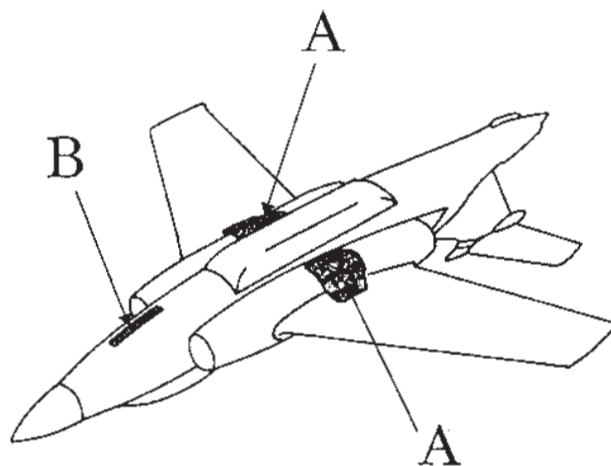
C NOSE WHEEL



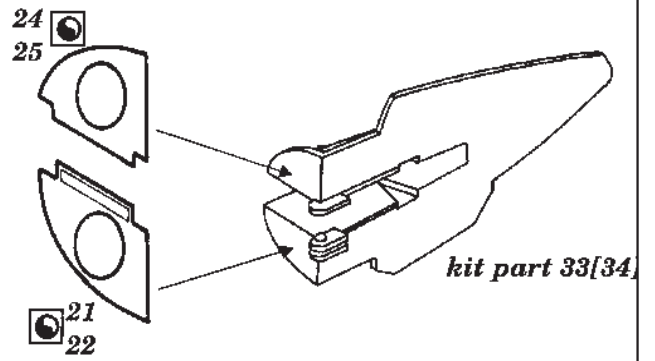
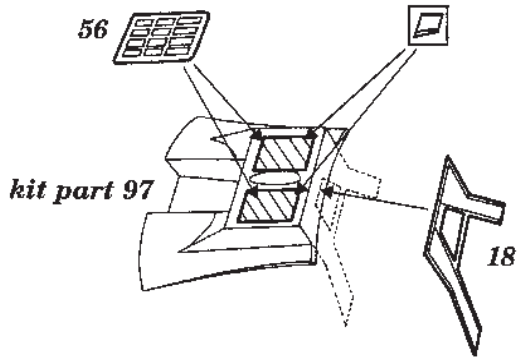
D MAIN GEAR STRUT



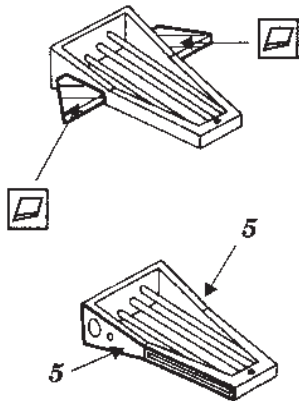
E BOTTOM VIEW



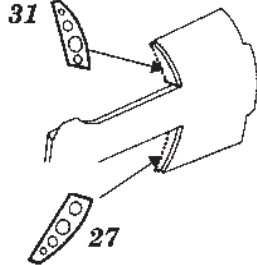
F AIR BRAKE



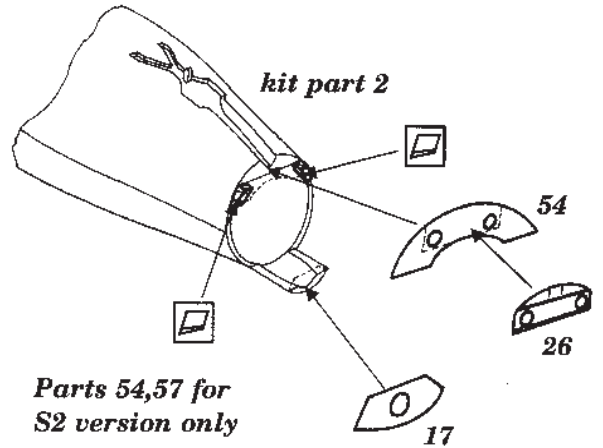
kit part 28



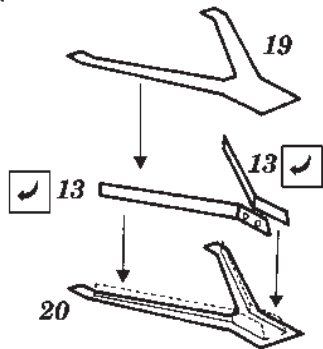
kit part 29



kit part 2

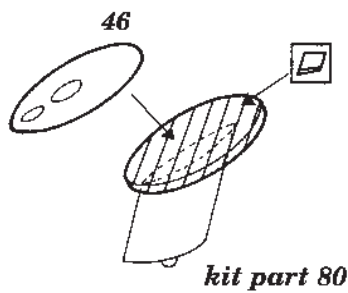


G TAIL SKID

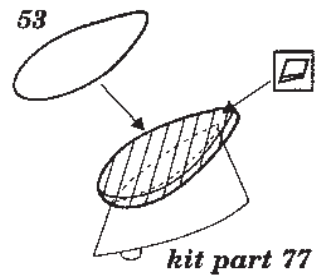


Replace kit part 59

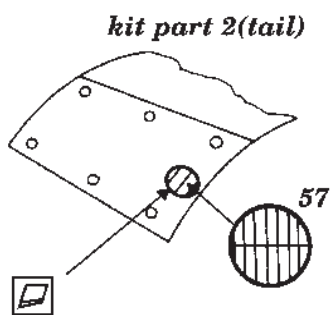
H AERIAL



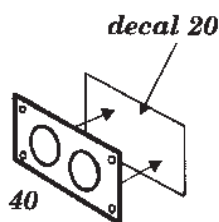
I EXTERNAL FUEL TANK



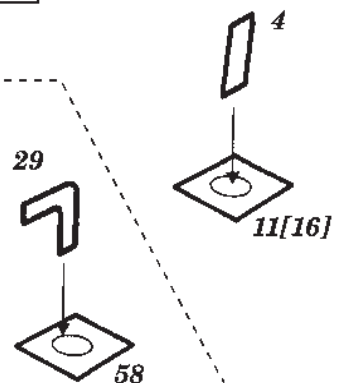
J GRILL



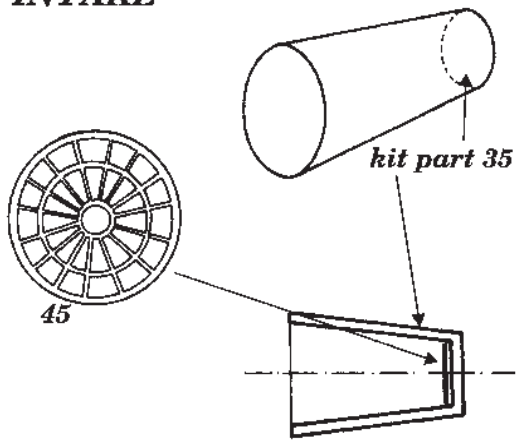
K EXTERNAL CONTROL PANEL



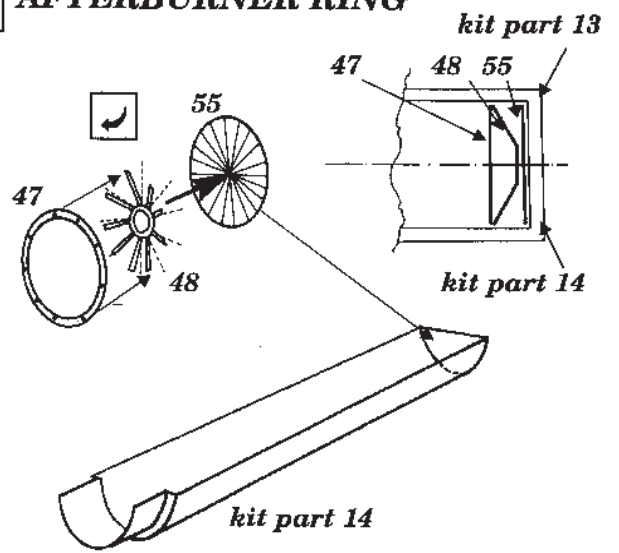
L AERIALS



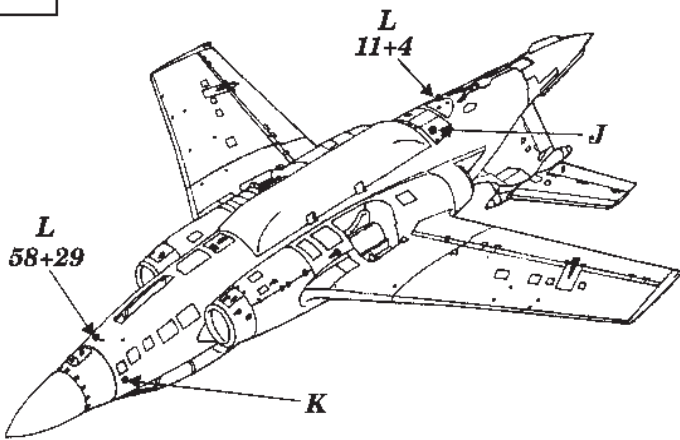
M INTAKE



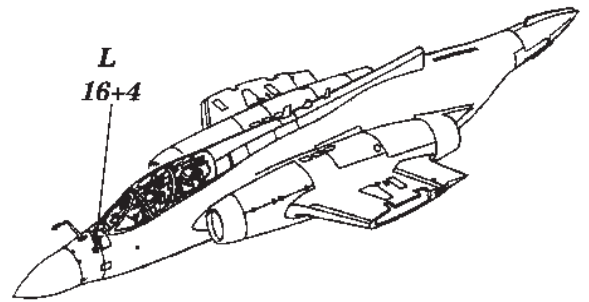
N AFTERBURNER RING



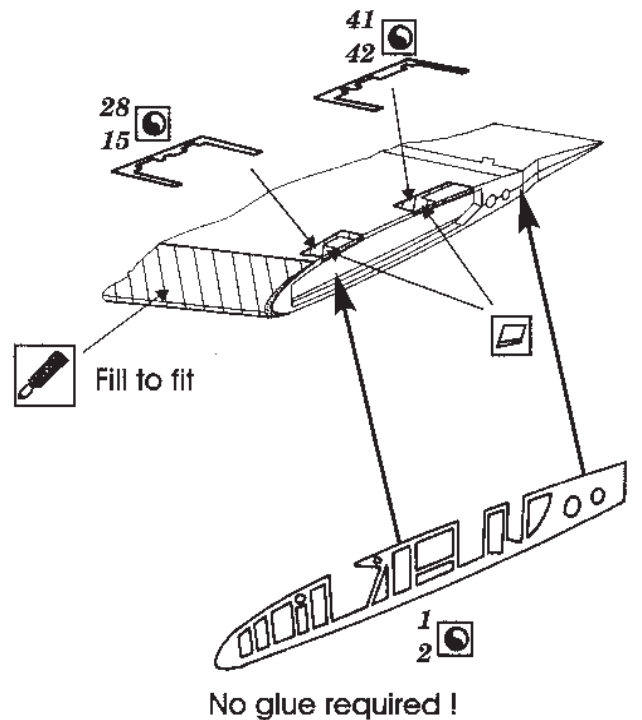
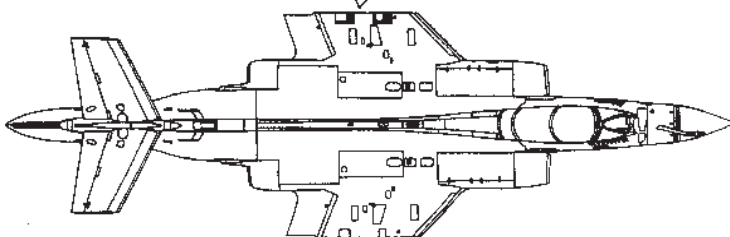
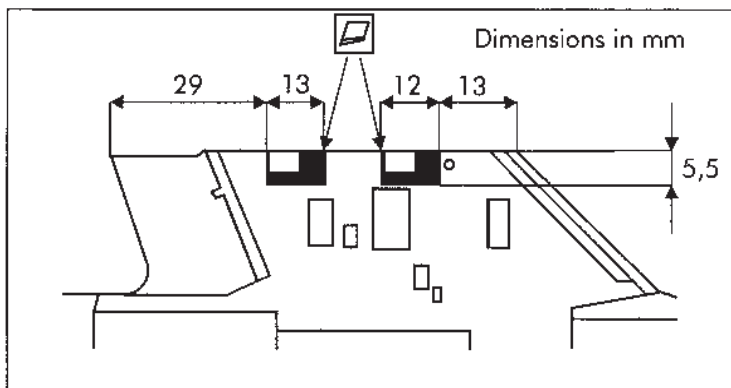
O AERIALS & GRILL - BOTTOM



P AoA

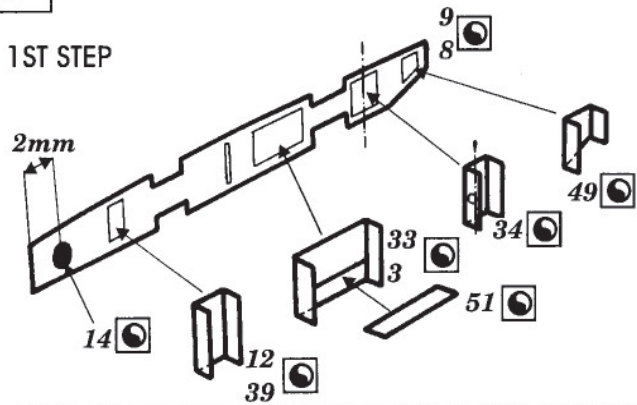


R WING HINGE - INBOARD WING SECTION

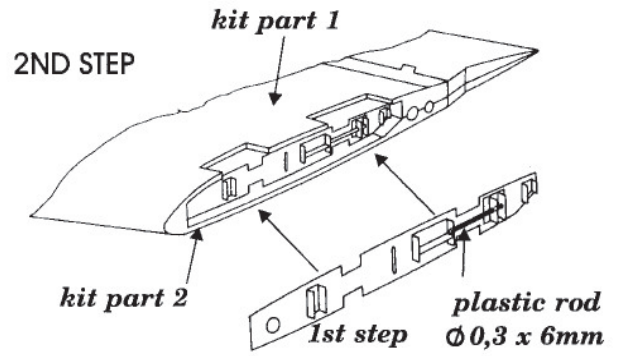


S WING HINGE

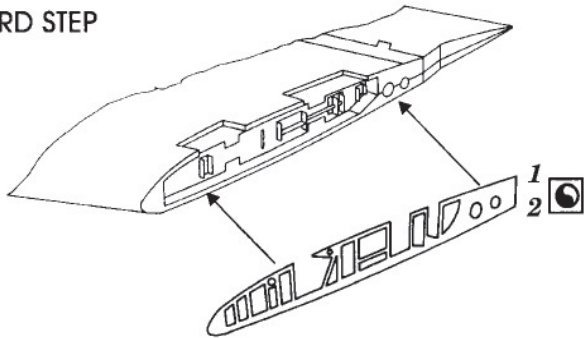
1ST STEP



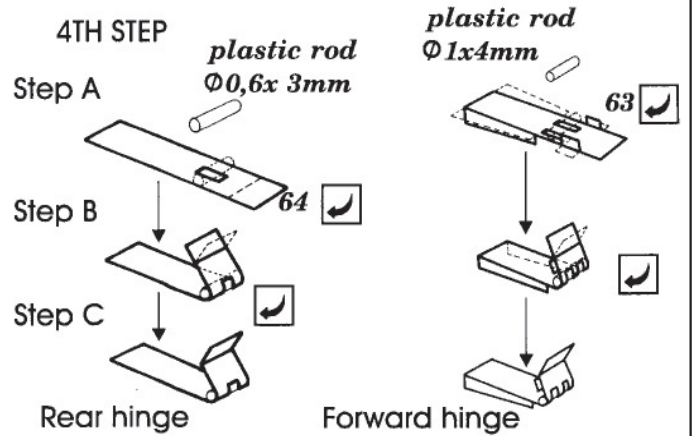
2ND STEP



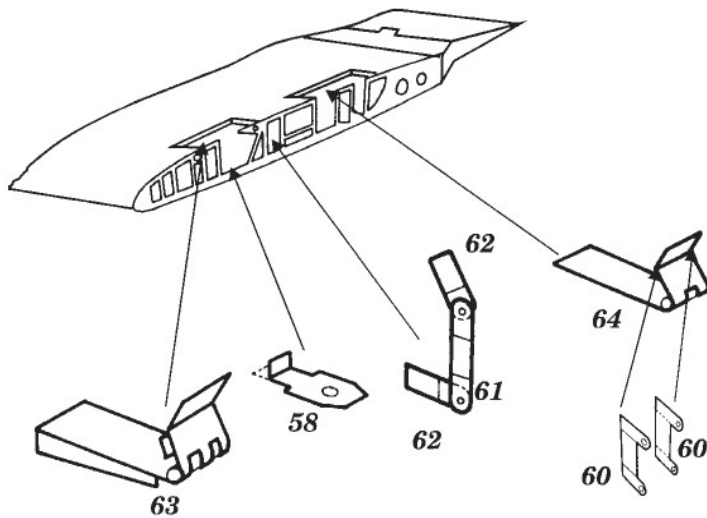
3RD STEP



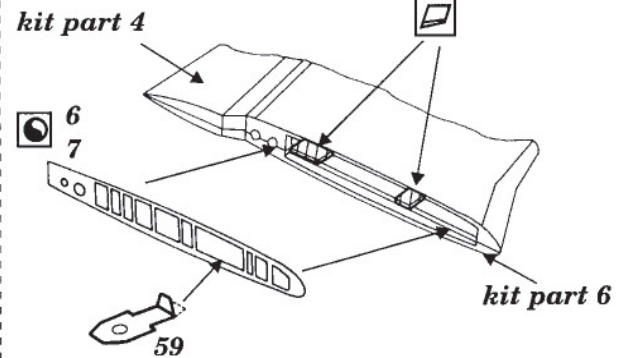
4TH STEP



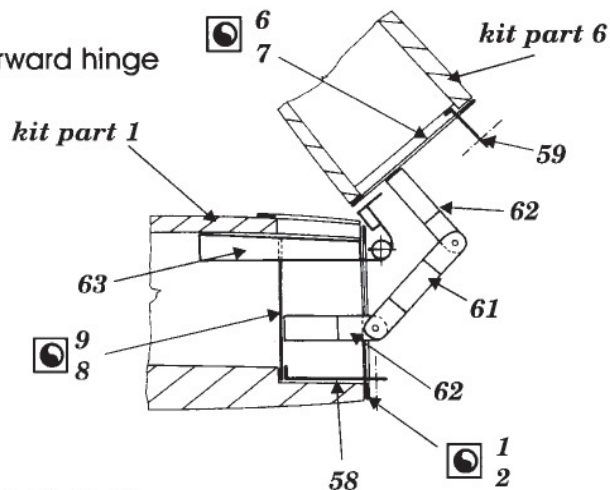
5th STEP



6th STEP



Forward hinge



Rear hinge

